



# Line Bodies



# Why Choose A Knapheide Line Body?



# There's nothing standard about a line body.

That's why Knapheide partners with your business to customize a body that works the way that you do. With endless possibilities for customization, we provide one-of-a-kind service vehicles that cater to your operational needs.

## Other Reasons to Buy a Knapheide Line Body

A) Vertical compartment doors employ double spring-loaded, over-center retainers for elimination of involuntary swing.

B) Automotive door seals for protecting tools & parts from the elements.

C) "Pry-Proof" stainless steel hinges for security.

D) Stainless steel latches

- Stainless steel paddle activated, rotary-style latches close easily and stay closed. Individually lockable bolt-on latches can be removed for repair or replacement. With Knapheide's exclusive six-year warranty.

- Interior cover secures the latch to the door and protects latch mechanisms from being damaged.

E) And more (not pictured):

- Superior understructure-strength created by 6" high formed C-channel cross sills.

- Exclusive return floor flange for extraordinary strength & rust protection.

- Rust protection from Knapheide's K-Coat System (complete immersion in electro-deposition prime paint).

- 6 Year limited warranty (see warranty for details)
  - No rust through
  - Door hinges will not fail or come off the body
  - Latches and lock cylinders will not fail to operate
  - Shelves will not bend under max load of 250lbs.

Since 1848, The Knapheide Manufacturing Company has continued to be an industry leader, with a vast distribution network and expert staff ready to help.

For more information...

[www.knapheide.com/products/linebody](http://www.knapheide.com/products/linebody)



**D**

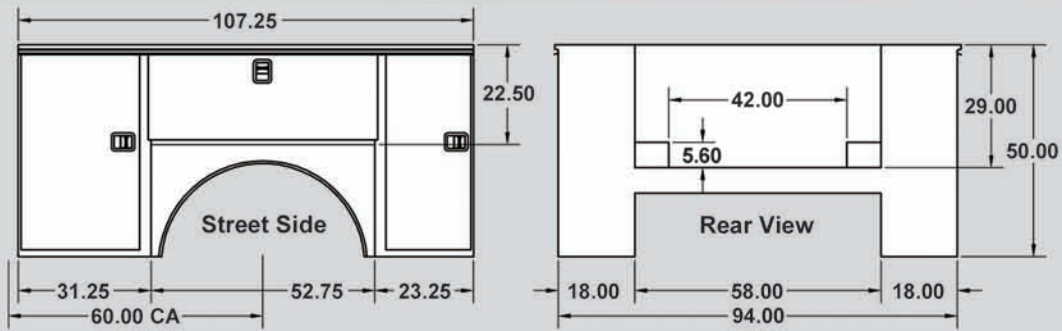


# Specifications

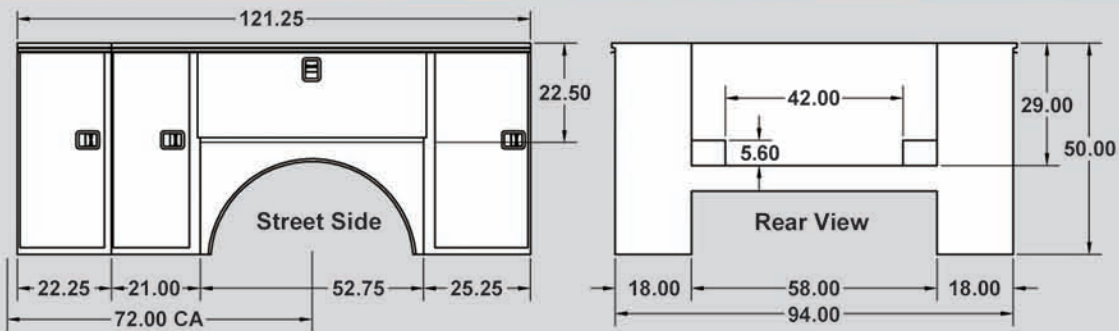


	Conventional Models							Bobtail Models				
	6107HC	6121HC	6133HC	6147HC	6155HC	6165HC	6169HC	6109BHC	6127BHC	6133BHC	6145BHC	6149BHC
<b>CA</b>	60"	72"	84"	102"	108"	120"	124"	84"	102"	108"	120"	124"
<b>Body Length (Nominal)</b>	107"	121"	133"	147"	155"	165"	169"	109"	127"	133"	145"	149"
<b>Body Height</b>	50"	50"	50"	50"	50"	50"	50"	50"	50"	50"	50"	50"
<b>Body Width</b>	94"	94"	94"	94"	94"	94"	94"	94"	94"	94"	94"	94"
<b>Compartment Depth</b>	18"	18"	18"	18"	18"	18"	18"	18"	18"	18"	18"	18"
<b>Overall Height Floor to Compartment Top</b>	29"	29"	29"	29"	29"	29"	29"	29"	29"	29"	29"	29"
<b>Net Weight (lbs.)</b>	1553	1785	1906	2140	2248	2347	2386	1589	1862	1921	2069	2108

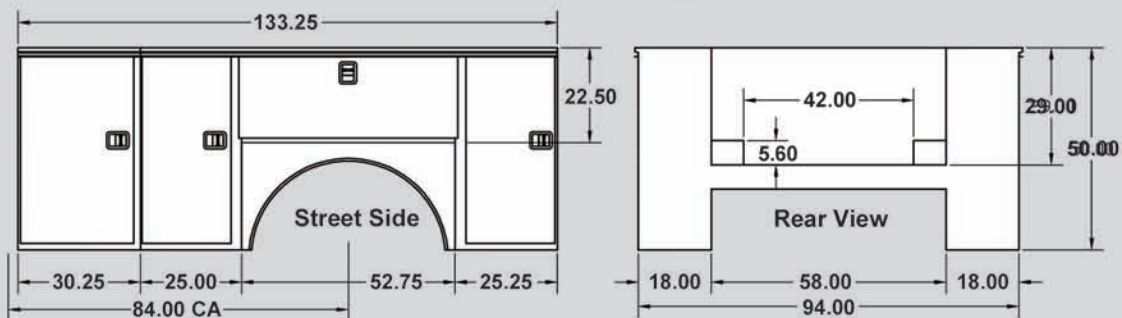
## 6107HC - Conventional Style



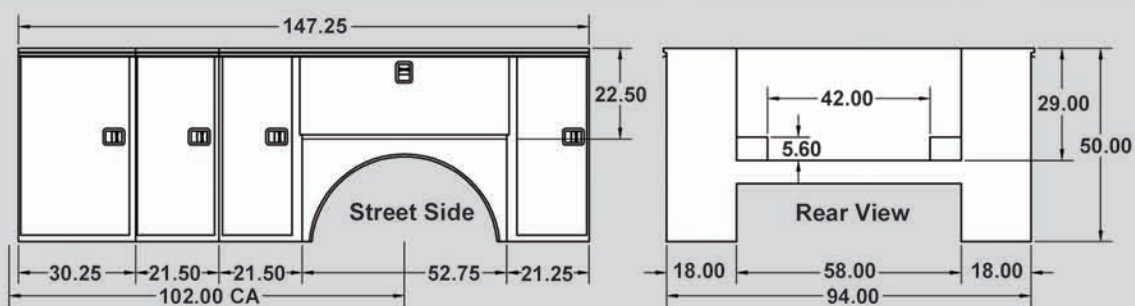
## 6121HC - Conventional Style



## 6133HC - Conventional Style

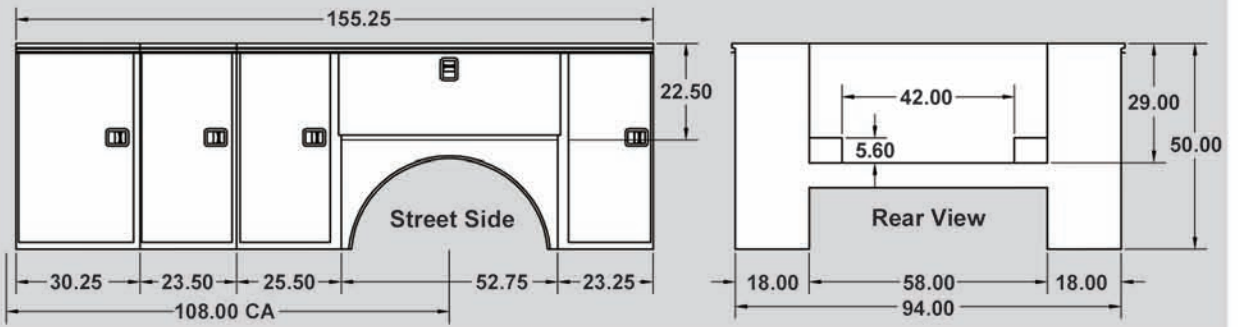


## 6147HC - Conventional Style

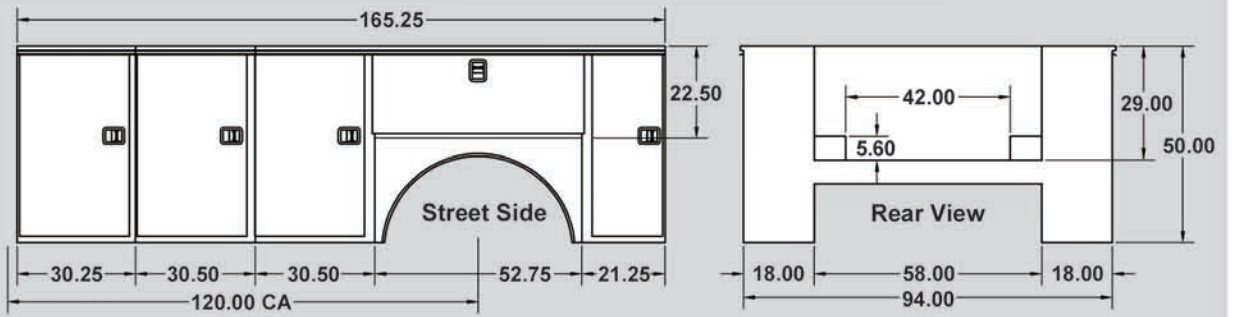


# Specifications

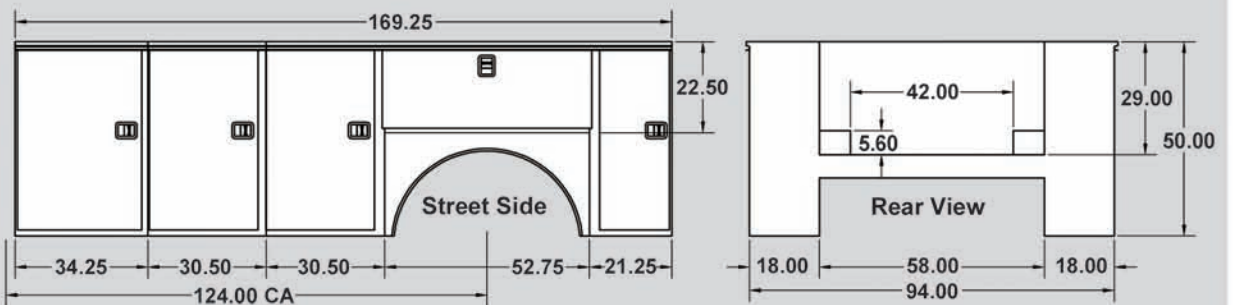
## 6155HC - Conventional Style



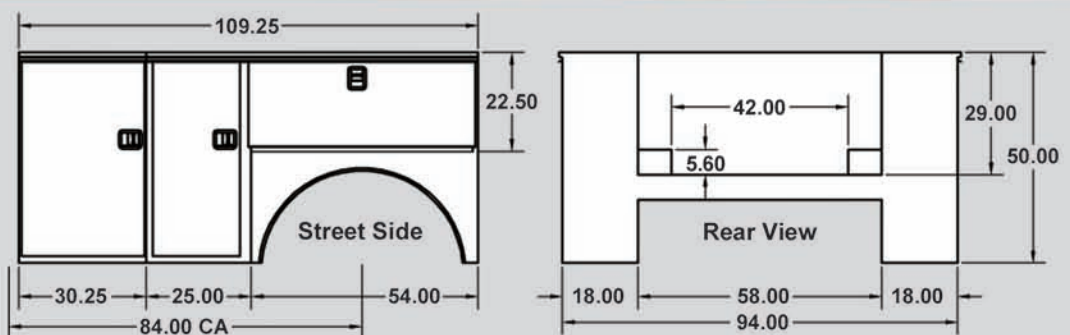
## 6165HC - Conventional Style



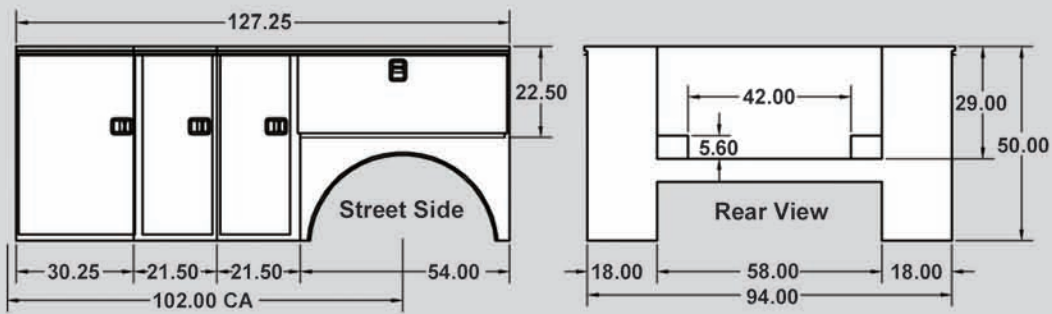
## 6169HC - Conventional Style



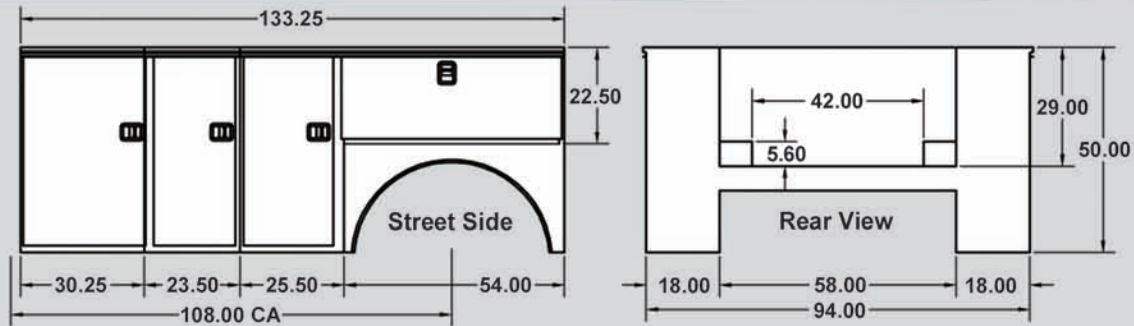
## 6109BHC - Bobtail Style



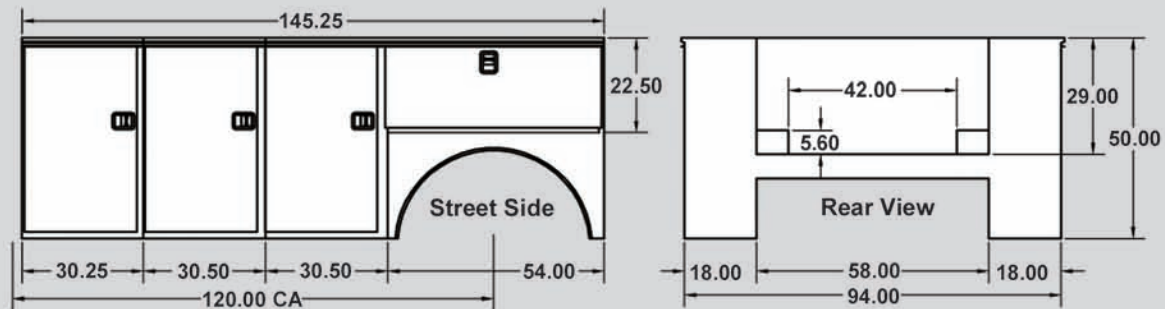
## 6127BHC - Bobtail Style



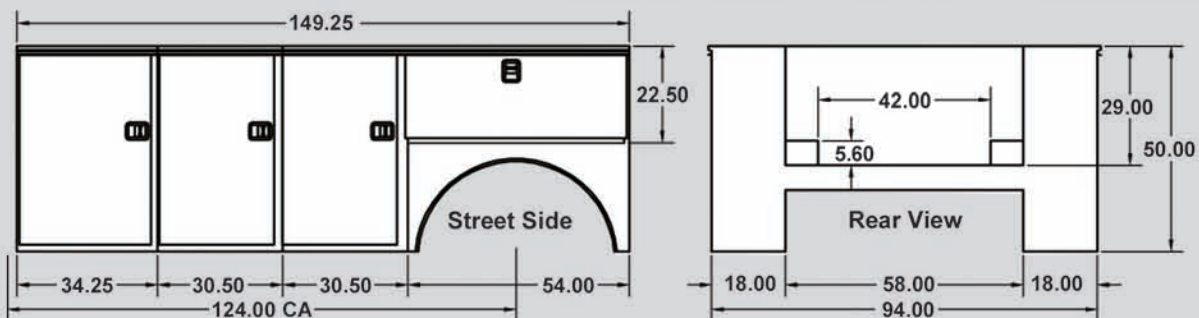
## 6133BHC - Bobtail Style





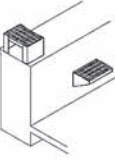
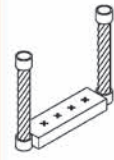

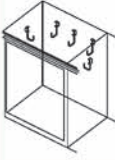



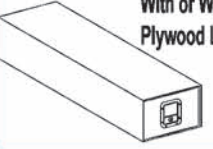
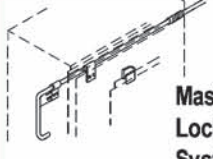


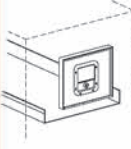
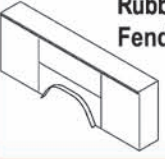

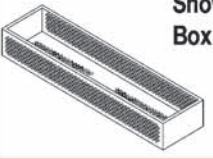
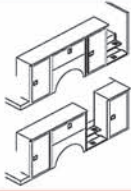
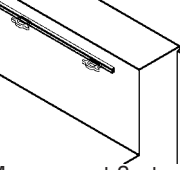
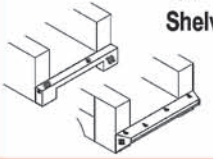
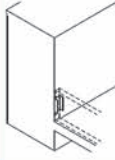
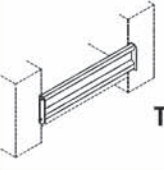
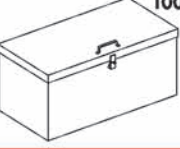
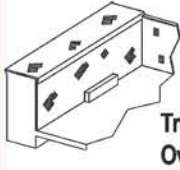
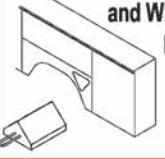
## 6145BHC - Bobtail Style



## 6149BHC - Bobtail Style



# Options

 <b>500 lbs Pull Out Tray</b>	 <b>Bottle Gas Retainers for Vertical Compartments</b>	 <b>Bucket Access Steps</b>	 <b>Cable Steps</b>	 <b>Cargo Tie Downs</b>
 <b>Combination Stationary/ Swivel Hooks</b>	 <b>LED Compartment Lighting</b>	 <b>Grab Handles</b>	 <b>Grip Strut Walkways</b>	 <b>Hot stick Boxes With or Without Plywood Lining</b>
 <b>Master Locking Systems</b>	 <b>Outrigger Housings</b>	 <b>Outrigger Pad Carriers</b>	 <b>Rear Access Door and Full Length Shelf With or Without Plywood Lining</b>	 <b>Rubber Fenderettes</b>
 <b>Shelving and Dividers</b>	 <b>Shovel Box</b>	 <b>Side Access Steps</b>	 <b>Cargo Management System</b>	 <b>Tail Shelves</b>
 <b>Tailboard Channels and Tailboards</b>	 <b>Tailgates</b>	 <b>Top Opening Toolbox</b>	 <b>Treadplate Overlays</b>	 <b>Wheel Chocks and Wheel Chock Holders</b>

## Because Rust Never Sleeps

When you buy quality Knapheide products, rust shouldn't be a worry. To provide the best protection against rust, we installed K-Coat, our state-of-the-art, custom-designed electrocoating prime paint system. K-Coat bonds paint to steel by an electroplating process, to give you better corrosion protection than spraying. Complete immersion in K-Coat results in a prime coat that provides excellent chemical and solvent resistance. Our K-Coat system is the best electrocoat prime paint system in the industry. Because rust never sleeps. And because you should never worry about the quality of your Knapheide product.



The Knapheide Manufacturing Company  
1848 Westphalia Strasse  
Quincy, Illinois 62305

(217) 222-7131

[www.knapheide.com](http://www.knapheide.com)

[knapheide@knapheide.com](mailto:knapheide@knapheide.com)



**SINCE 1848**

**Quality You Ask For By Name**

Copyright © 2009 The Knapheide Manufacturing Company



Specifications subject to change without notice.