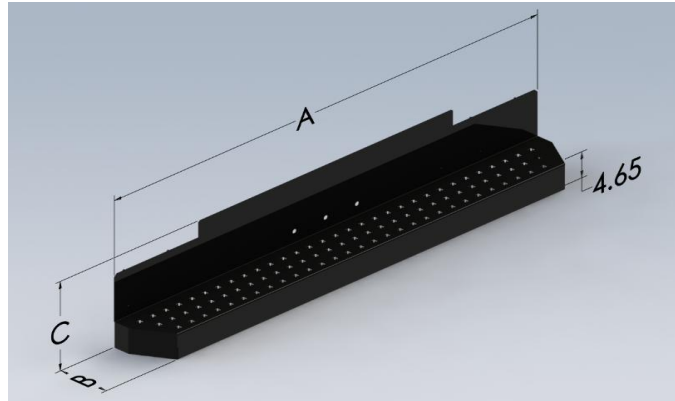


SERVICE BODY OPTION

GALVA-GRIP BUMPERS WITH K NAP-LINER

STRAIGHT BUMPERS ARE OFFERED IN GALVA GRIP OR TREADPLATE MATERIAL. BUMPERS ARE COATED WITH BLACK K NAP LINER. GALVA GRIP IS MADE FROM HEAVY DUTY GALVANEAL WITH 'GRIP TREAD' ON THE STEP SURFACE. GALVANNEAL PROVIDES SUPERIOR CORROSION RESISTANCE AND ENHANCED PAINT ADHESION. THE 'GRIP TREAD' EXPELS MUD AND PROVIDES SUPERIOR SLIP RESISTANCE. K NAP LINER IS A DURABLE BLACK SPRAY ON COMPOSITE LINER



Galva Grip

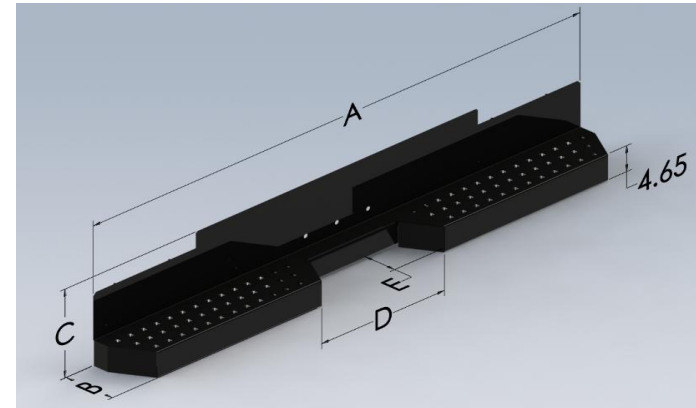
Service Bodies	Width	Option	Wt.	Price
Aluminum Service Body	81.5	27200005	60	
Aluminum Service Body D54	94	20068310	68	
Aluminum Service Body D41	81.5	20068390	60	
Aluminum Service Body D49	89	20068590	65	

DIMENSIONS

Service Bodies	A	B	C
Aluminum Service Body	81.13	8.88	15.98
Aluminum Service Body D54	93.63	8.88	15.98
Aluminum Service Body D41	81.13	8.88	15.98
Aluminum Service Body D49	88.63	8.88	15.98

RECESS BUMPER WITH K NAP-LINER

RECESS BUMPERS ARE OFFERED IN GALVA GRIP OR TREADPLATE MATERIAL. BUMPERS ARE COATED WITH BLACK K NAP LINER. GALVA GRIP IS MADE FROM HEAVY DUTY GALVANEAL WITH 'GRIP TREAD' ON THE STEP SURFACE. GALVANNEAL PROVIDES SUPERIOR CORROSION RESISTANCE AND ENHANCED PAINT ADHESION. THE 'GRIP TREAD' EXPELS MUD AND PROVIDES SUPERIOR SLIP RESISTANCE. K NAP LINER IS A DURABLE BLACK SPRAY ON COMPOSITE LINER



Galva Grip

Service Bodies	Width	Option	Wt.	Price
Aluminum Service Body	81.5	27200047	77	
Aluminum Service Body D54	94	20068330	85	
Aluminum Service Body D41	81.5	20068410	75	
Aluminum Service Body D49	89	20068610	81	

DIMENSIONS

Service Bodies	A	B	C	D	E
Aluminum Service Body	81.13	8.88	15.98	23.50	5.70
Aluminum Service Body D54	93.63	8.88	15.98	23.50	5.70
Aluminum Service Body D41	81.13	8.88	15.98	23.50	5.70
Aluminum Service Body D49	88.63	8.88	15.98	23.50	5.70