

KNAP KAP™ OPTION INDEX

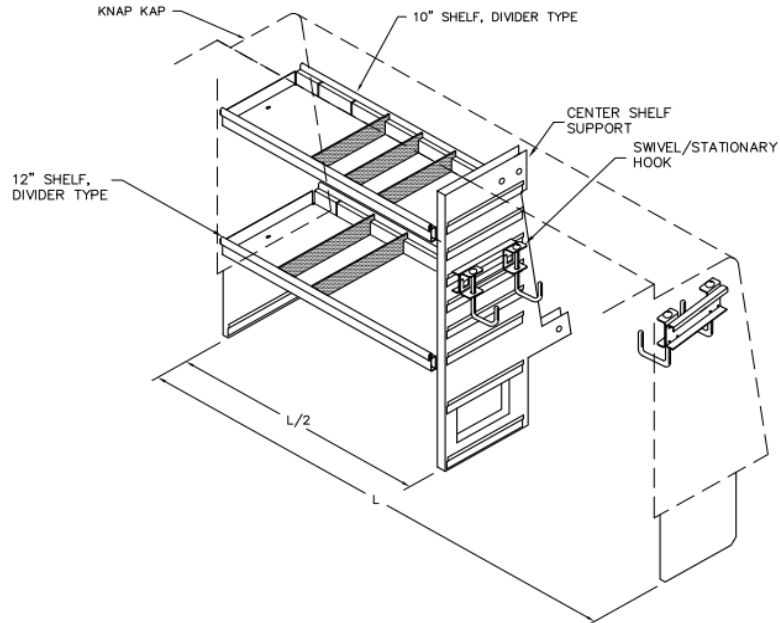
Option	Option Description	Page No.
Cabinet	9 Drawer Cabinet	7
Hooks	Combination Stationary/Swivel	7
Ladder Racks	Ladder Rack, Top Mount	8
	Ladder Rack Rollers	8
	Ladder Rack Rails	9
	Ladder Clamp	9
Lights	Dome Light	10
Locks	Stainless Twist Locks	12
Option Packages	Package "A" - Shelving & Hooks	1
	Package "B" - Toolbox & Hooks	1
	Package "C" - Toolbox & Hooks	2
	Package "D" - Shelving	2
	Package "E" - Full Length Toolbox	3
	Package "F" - Shelving & Toolbox	3
Paint	Bulkhead Paint	14
Shelves & Enclosures	Shelf Support	4
	Shelf, Adjustable Divider Type	4
	Shelf, Divider Type for Combo Model	12
	Shelf, Basket Type	5
	Shelf Enclosure	5
	Shelf Liner	6
	Dividers	6
	Shelf, 28" Fold-out divider tray	13
	Shelf, 28" Lift-out divider tray	13
	Shelf, 28" Stationary divider tray	14
	Windows & Guards	Windows in Side Doors
Sliding Glass Window		11
Window Guard		11

KNAP KAP™ OPTION

PACKAGE "A" - SHELVING & HOOKS

INTERIOR SHELVING PACKAGE IS RATED AT 500 POUND PER QUADRANT. SHELVING PACKAGE INCLUDES ONE 10" AND 12" DIVIDER TYPE SHELF, FIVE 10" AND FIVE 12" DIVIDERS, AND FOUR SWIVEL / STATIONARY HOOKS. ALSO INCLUDED IS A CENTER SHELF SUPPORT AND LOWER SHELF SUPPORTS. SHELVES CAN BE PLACED IN THE FRONT OR REAR ON EITHER SIDE OF THE KNAP KAP. AVAILABLE LOOSE ONLY FOR ALL KNAP KAP MODELS WITH THE FOLLOWING EXCEPTIONS:

- NOT AVAILABLE FOR ANY CLASSIC MODELS

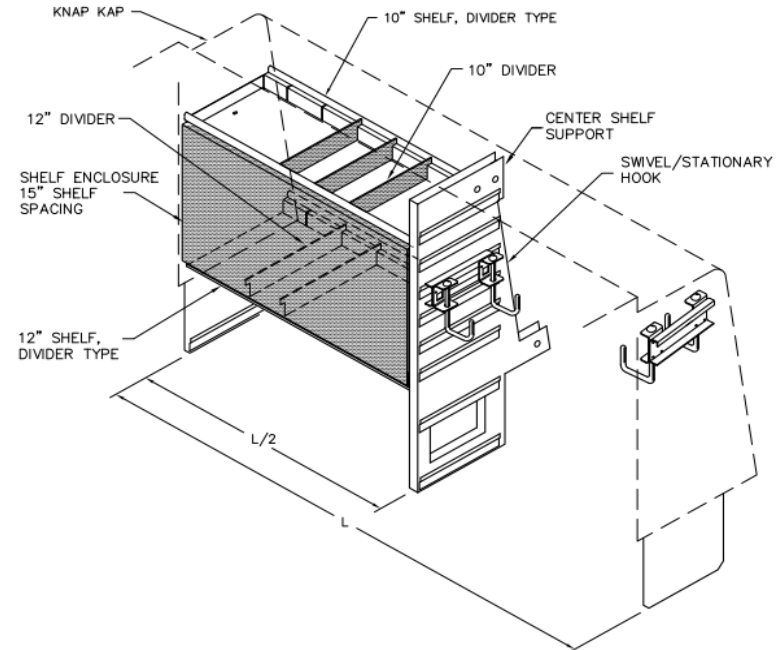


77004000	LOOSE, SHELVING PACKAGE, FORD, GM AND DODGE	
Option No.	APPLICATION	PRICE

PACKAGE "B" - TOOLBOX & HOOKS

INTERIOR SHELVING PACKAGE IS RATED AT 500 POUNDS PER QUADRANT. SHELVING PACKAGE INCLUDES ONE 10" AND 12" DIVIDER TYPE SHELF, FIVE 10" AND FIVE 12" DIVIDERS, FOUR SWIVEL / STATIONARY HOOKS, AND ONE SHELF ENCLOSURE. ALSO INCLUDED IS A CENTER SHELF SUPPORT AND LOWER SHELF SUPPORTS. SHELVES CAN BE PLACED IN THE FRONT OR REAR ON EITHER SIDE OF THE KNAP KAP. AVAILABLE LOOSE ONLY FOR ALL KNAP KAP MODELS WITH THE FOLLOWING EXCEPTIONS:

- NOT AVAILABLE FOR ANY CLASSIC MODELS



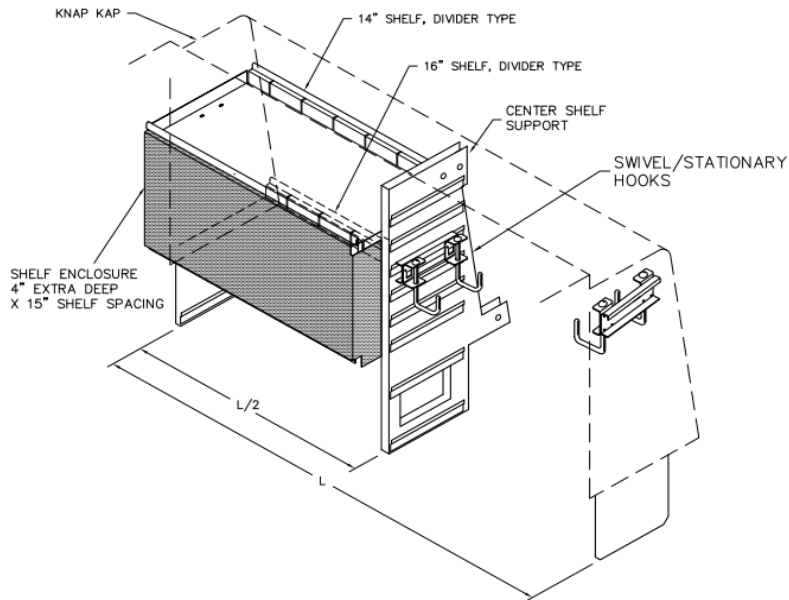
77004018	LOOSE, SHELVING PACKAGE, FORD, GM, AND DODGE	
Option No.	APPLICATION	PRICE

KNAP KAP™ OPTION

PACKAGE "C" - TOOLBOX & HOOKS

INTERIOR SHELVING IS RATED AT 500 POUNDS PER QUADRANT. INTERIOR SHELVING PACKAGE INCLUDES A 14" AND 16" DIVIDER TYPE SHELF, ONE SHELF ENCLOSURE FOR 4" EXTRA DEEP SHELVES, AND FOUR SWIVEL / STATIONARY HOOKS. ALSO INCLUDED IS A CENTER SHELF SUPPORT AND LOWER SHELF SUPPORTS. THE SHELVES CAN BE PLACED IN THE FRONT OR REAR ON EITHER SIDE OF THE KNAK KAP WITH THE FOLLOWING EXCEPTIONS:

- EXTRA DEEP SHELVES AND ENCLOSURES HAVE INTERFERENCE WITH HORIZONTAL REAR DOOR.
- AVAILABLE LOOSE ONLY FOR ALL KNAK KAP MODELS WITH THE FOLLOWING EXCEPTIONS:
- NOT AVAILABLE FOR ANY CLASSIC MODELS

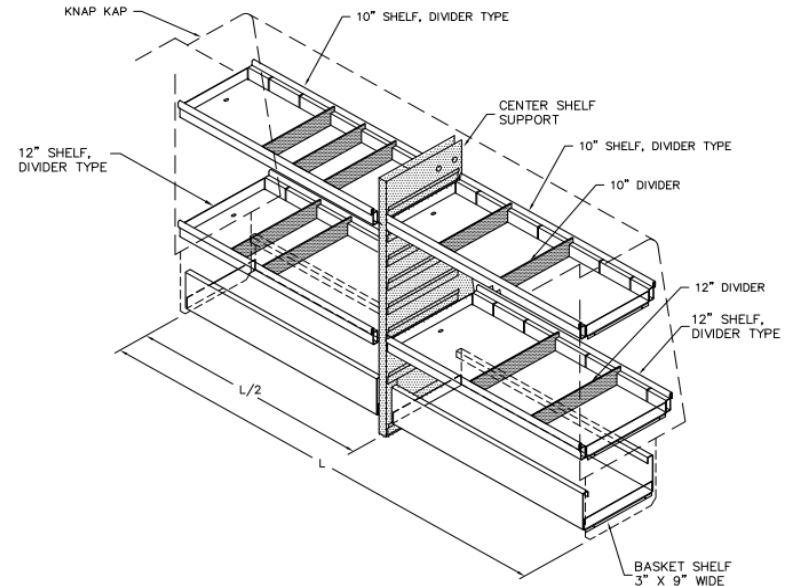


77004026	LOOSE, SHELVING PACKAGE, FORD, GM AND DODGE	
Option No.	APPLICATION	PRICE

PACKAGE "D" - SHELVING

INTERIOR SHELVING PACKAGE IS RATED AT 500 POUNDS PER QUADRANT. SHELVING PACKAGE INCLUDES TWO 10" AND TWO 12" DIVIDER TYPE SHELVES, TEN 10" AND TEN 12" DIVIDERS, AND TWO BASKET SHELVES. ALSO INCLUDED IS A CENTER SHELF SUPPORT AND LOWER SHELF SUPPORTS. THE SHELVES CAN BE PLACED IN THE FRONT OR REAR ON EITHER SIDE OF THE KNAK KAP WITH THE FOLLOWING EXCEPTIONS:

- BASKET SHELF MUST BE CUT TO LENGTH WHEN USED IN REAR QUADRANT WITH HORIZONTAL REAR DOOR.
- AVAILABLE LOOSE ONLY FOR ALL KNAK KAP MODELS WITH THE FOLLOWING EXCEPTIONS:
- NOT AVAILABLE FOR ANY CLASSIC MODELS



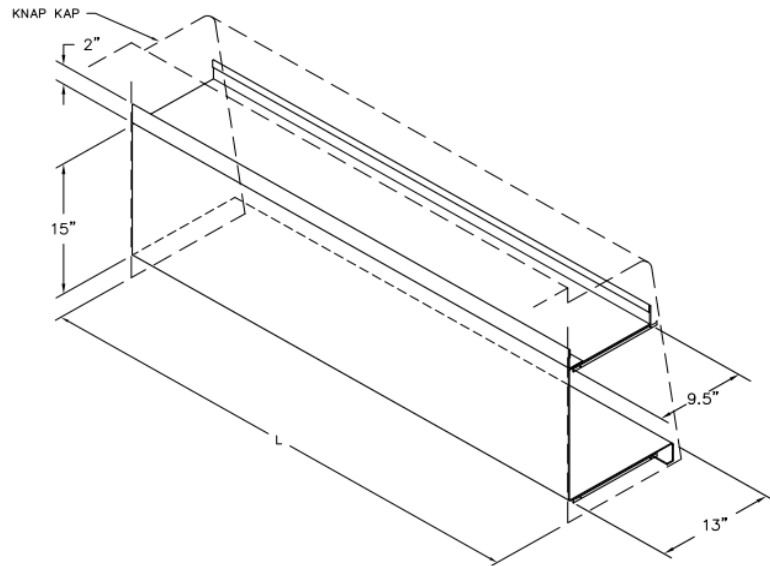
77004034	LOOSE, SHELVING PACKAGE, FORD, GM AND DODGE	
Option No.	APPLICATION	PRICE

KNAP KAP™ OPTION

PACKAGE "E" - FULL LENGTH TOOLBOX

FULL LENGTH TOOLBOX SHELF IS RATED AT 500 POUNDS. TOOLBOX SHELF PROVIDES AN ENCLOSED LOWER SHELF THAT IS ACCESSIBLE FROM THE OUTSIDE ONLY. THE TOP SHELF IS ACCESSIBLE FROM THE INSIDE ONLY. SHELF IS CONSTRUCTED OF 16 GA. GALVANNEALED PRIME STEEL. THE FULL LENGTH TOOLBOX IS NOT COMPATIBLE WITH OTHER SHELVING OPTIONS. AVAILABLE LOOSE ONLY FOR ALL KNAP KAP MODELS WITH THE FOLLOWING EXCEPTIONS:

- NOT AVAILABLE FOR ANY CLASSIC MODELS



77004042	LOOSE, FULL LENGTH TOOLBOX SHELF	
Option No.	APPLICATION	PRICE

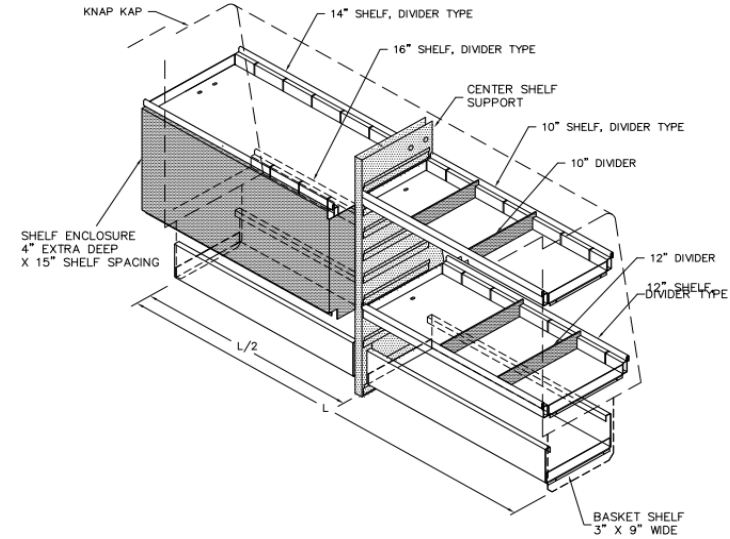
PACKAGE "F" - SHELVING & TOOLBOX

INTERIOR SHELVING PACKAGE IS RATED AT 500 POUNDS PER QUADRANT. SHELVING PACKAGE INCLUDES A 10", 12", 14" AND 16" DIVIDER TYPE SHELF, FIVE 10" AND FIVE 12" DIVIDERS, ONE SHELF ENCLOSURE FOR 4" EXTRA DEEP SHELVES, AND TWO BASKET SHELF SHELVES. ALSO INCLUDED IS A CENTER SHELF SUPPORT AND LOWER SHELF SUPPORTS. THE SHELVES CAN BE PLACED IN THE FRONT OR REAR ON EITHER SIDE OF THE KNAP KAP WITH THE FOLLOWING EXCEPTIONS:

- EXTRA DEEP SHELVES AND ENCLOSURES HAVE INTERFERENCE WITH HORIZONTAL REAR DOOR
- BASKET SHELF MUST BE CUT TO LENGTH WHEN USED IN REAR QUADRANT WITH HORIZONTAL REAR DOOR

AVAILABLE LOOSE ONLY FOR ALL KNAP KAP MODELS WITH THE FOLLOWING EXCEPTIONS:

- NOT AVAILABLE FOR ANY CLASSIC MODELS



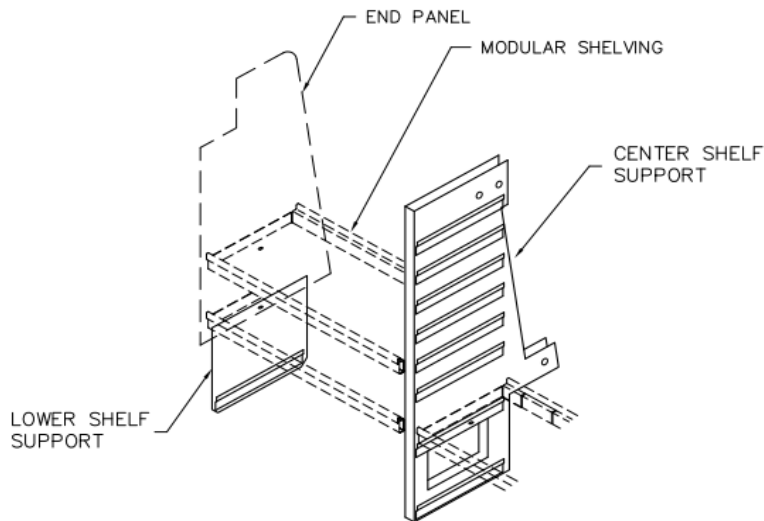
77004059	LOOSE, SHELVING PACKAGE, FORD, GM AND DODGE	
Option No.	APPLICATION	PRICE

KNAP KAP™ OPTION

SUPPORT, SHELF

CENTER SHELF SUPPORT WITH SHELVING IS RATED AT 500 POUNDS PER QUADRANT. ONE CENTER SHELF SUPPORT IS REQUIRED FOR EACH SIDE COMPARTMENT WHERE MODULAR SHELVING IS USED. THE 18 GA. REGULAR SPANGLED G-40 GALVANIZED CENTER SHELF SUPPORT IS A BOLT-ON SUPPORT AND IS ADJUSTABLE FOR EASE OF INSTALLATION. HOLES HAVE BEEN PROVIDED TO MOUNT BOTH THE CENTER SUPPORT AND THE LOWER SHELF SUPPORT. THE LOWER SUPPORT IS NEEDED TO PROVIDE THE LOWEST SHELF POSITION, "A", WHICH EXTENDS DOWN INTO THE PICKUP BOX USING THE SPACE OVER THE WHEEL WELL. THE CUTOUT IN THE LOWER PORTION OF THE CENTER SUPPORT IS FOR STORAGE OF LONG OBJECTS. WEIGHT IS 14.5 LBS. AVAILABLE LOOSE ONLY FOR ALL Knap Kap MODELS WITH THE FOLLOWING EXCEPTIONS:

- NOT AVAILABLE FOR ANY CLASSIC MODELS



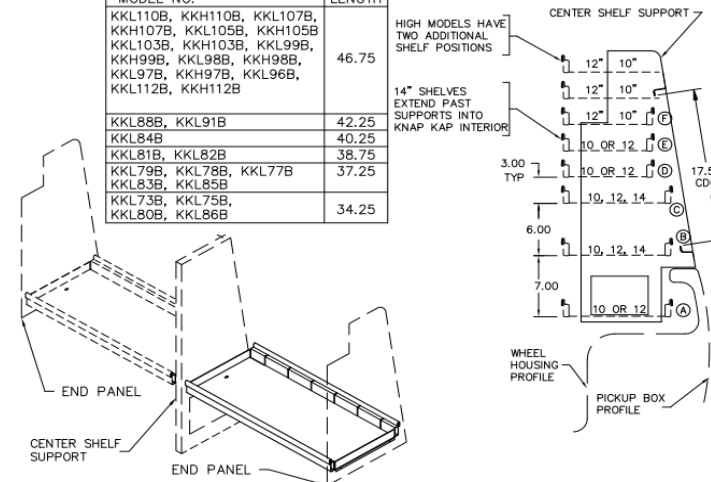
77003366	LOOSE, A CENTER SHELF SUPPORT AND TWO LOWER SHELF SUPPORTS. FOR FORD, GM AND DODGE	
Option No.	APPLICATION	PRICE

SHELF, ADJUSTABLE DIVIDER TYPE

250 POUND RATING ADJUSTABLE SHELF, ROLL-FORMED FROM 18 GA. REGULAR SPANGLED G-40 GALVANIZED STEEL. DIVIDER SLOTS ARE ON 4 INCH CENTERS. DIVIDERS MUST BE ORDERED SEPARATELY. THESE HALF LENGTH SHELVES REQUIRE A CENTER SHELF SUPPORT, WHICH MUST BE ORDERED SEPARATELY. SHELF UNIT IS RATED AT 500 LBS PER QUADRANT. SHELVES MUST BE BOLTED TO PREVENT SHELVES FROM SLIDING OFF SHELF ANGLES. HOLES ARE PROVIDED IN THE SHELF FOR POSITIONING ON SHELF ANGLE. APPROXIMATE WEIGHT OF SHELF IS 0.35 POUNDS PER INCH OF LENGTH. SHELVES FIT INTO BOTH THE FRONT AND REAR HALF OF EACH SIDE COMPARTMENT. AVAILABLE LOOSE ONLY FOR ALL Knap Kap MODELS WITH THE FOLLOWING EXCEPTIONS:

- NOT AVAILABLE FOR ANY CLASSIC MODELS
- 14" WIDE SHELVES ARE NOT COMPATIBLE WITH HORIZ. REAR DOOR
- SHELVES IN SHELF POSITION "A" MUST BE CUT TO LENGTH WHEN USED IN REAR QUADRANT WITH HORIZONTAL REAR DOOR.
- 16" WIDE SHELVES ARE ONLY AVAILABLE WITH PACKAGES

MODEL NO.	LENGTH
KKL110B, KKH110B, KKL107B, KKH107B, KKL105B, KKH105B, KKL103B, KKH103B, KKL99B, KKH99B, KKL98B, KKH98B, KKL97B, KKH97B, KKL96B, KKL112B, KKH112B	46.75
KKL88B, KKL91B	42.25
KKL84B	40.25
KKL81B, KKL82B	38.75
KKL79B, KKL78B, KKL77B, KKL83B, KKL85B	37.25
KKL73B, KKL75B, KKL80B, KKL86B	34.25



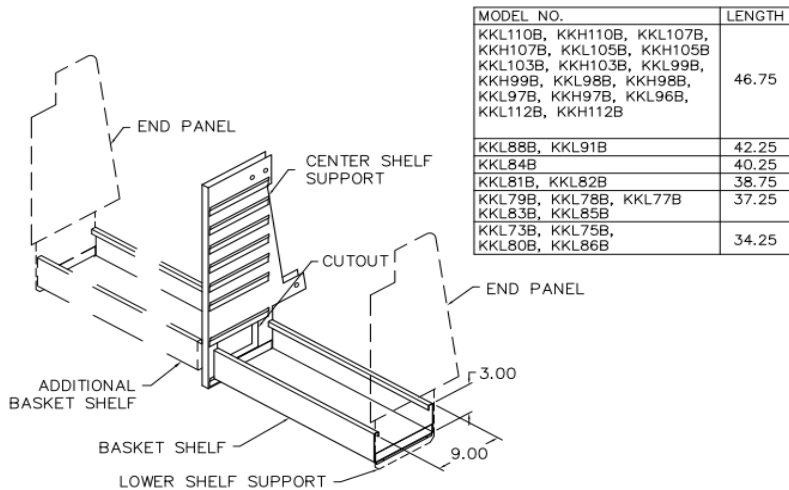
77003325	LOOSE, 10" WIDE DIVIDER SHELF, EACH	
77003333	LOOSE, 12" WIDE DIVIDER SHELF, EACH	
77003341	LOOSE, 14" WIDE DIVIDER SHELF, EACH	
Option No.	APPLICATION	PRICE

KNAP KAP™ OPTION

SHELF, BASKET

100 POUND RATED BASKET SHELF HAS 3" SLIDES FOR APPLICATIONS WHERE ADDITIONAL SHELF HEIGHT IS REQUIRED. **SHELF UNIT IS RATED AT 500 POUNDS PER QUADRANT.** THE BASKET SHELF FITS IN ANY SHELVING POSITION. BASKET SHELF IS MADE OF 18 GA. REGULAR SPANGLES G-40 GALVANIZED STEEL. THESE HALF LENGTH BASKET SHELVES REQUIRE A CENTER SHELF SUPPORT AND LOWER SHELF SUPPORTS, WHICH MUST BE ORDERED SEPARATELY. HOLES HAVE BEEN PROVIDED IN THE END FLANGE FOR POSITIVE ANCHORING WHEN REQUIRED FOR THE APPLICATION. APPROXIMATE WEIGHT OF SHELF IS 0.35 POUNDS PER INCH OF LENGTH. BASKET SHELVES FIT INTO BOTH THE FRONT AND REAR HALF OF EACH SIDE COMPARTMENT. NOT COMPATIBLE WITH HORIZONTAL REAR DOOR IN LEFT OR RIGHT REAR QUADRANT DUE TO INTERFERENCE WITH REAR SUPPORT. AVAILABLE LOOSE ONLY FOR ALL KNAP KAP MODELS WITH THE FOLLOWING EXCEPTIONS:

- NOT AVAILABLE FOR ANY CLASSIC MODELS
- EXTRA DEEP SHELVES AND ENCLOSURES HAVE INTERFERENCE WITH HORIZONTAL REAR DOOR
- BASKET SHELF MUST BE CUT TO LENGTH WHEN USED IN REAR QUADRANT WITH HORIZONTAL REAR DOOR

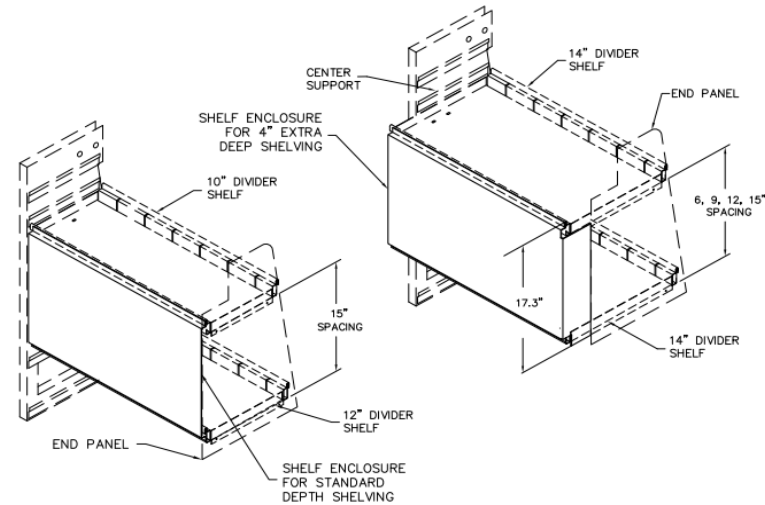


77003275	LOOSE, BASKET SHELF, 9" X 3", EACH	
Option No.	APPLICATION	PRICE

ENCLOSURE, SHELF

SHELF ENCLOSURE IS DESIGNED TO FIT BETWEEN TWO MODULAR SHELVES TO PROVIDE A BACK. THE ENCLOSURE IS MADE FROM 18 GA. REGULAR SPANGLED G-40 GALVANIZED STEEL. THE BASIC STYLE OF ENCLOSURE IS APPROXIMATELY FLUSH WITH THE SHELVING SUPPORTS AND IS DESIGNED TO BE USED WITH ONE 12" AND ONE 10" DIVIDER SHELF. THE OTHER STYLE OF ENCLOSURE PROTRUDES INTO THE INTERIOR AN ADDITIONAL 4 INCHES AND IS DESIGNED TO BE USED WITH TWO 14" WIDE SHELVES. THE SHELVES MUST BE ORDERED SEPARATELY. A CENTER SHELF SUPPORT IS REQUIRED AND MUST BE ORDERED SEPARATELY. RIVET HOLES HAVE BEEN PROVIDED IN THE SHELVES FOR QUICK INSTALLATION. APPROXIMATE WEIGHT OF SHELVES AND ENCLOSURE IS 1.00 POUND PER INCH OF LENGTH. ENCLOSURE AND SHELVES FIT INTO BOTH THE FRONT AND REAR HALF OF EACH SIDE COMPARTMENT. AVAILABLE LOOSE ONLY FOR ALL KNAP KAP MODELS WITH THE FOLLOWING EXCEPTIONS:

- NOT AVAILABLE FOR ANY CLASSIC MODELS
- NOT COMPATIBLE WITH 9 DRAWER CABINET
- EXTRA DEEP SHELVING AND ENCLOSURES HAVE INTERFERENCE WITH HORIZONTAL REAR DOOR AND STREET REAR WITH VERTICAL COMPACT DOOR

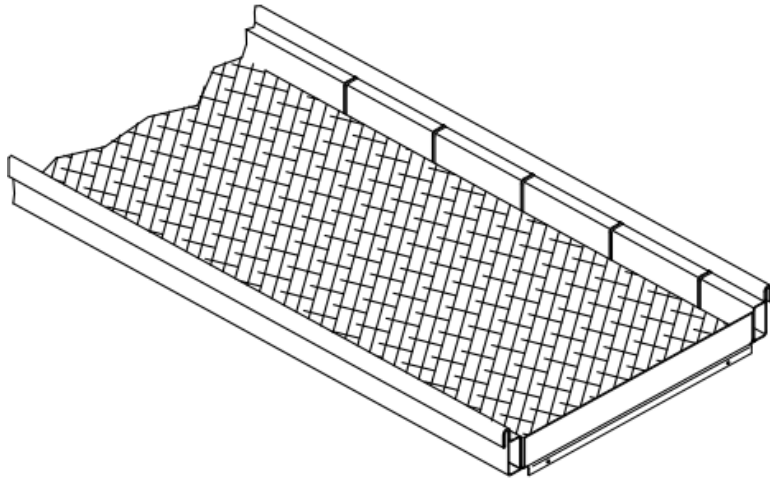


77003382	LOOSE, 15" ENCLOSURE WITH MOUNTING KIT	
77003408	LOOSE, 4" X 15" ENCLOSURE WITH MOUNTING KIT	
Option No.	APPLICATION	PRICE

KNAP KAP™ OPTION

SHELF LINER

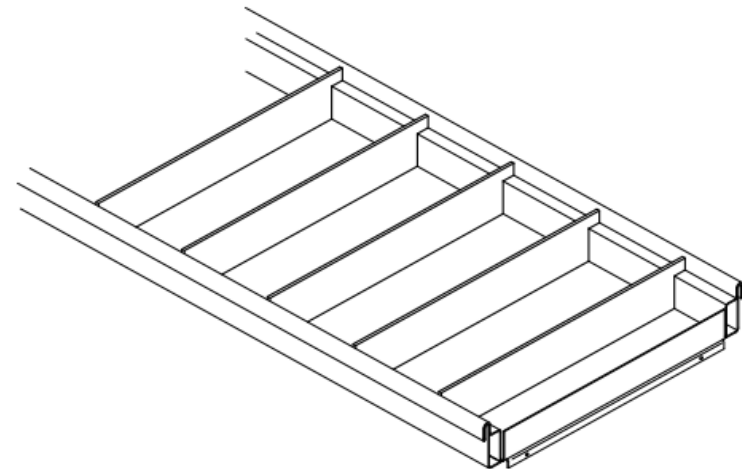
COMBINATION RUBBER / VINYL MATERIAL FOR LINING DIVIDER SHELVES TO PREVENT MATERIALS FROM SLIDING. THE SHELF LINER HAS A DIFFERENT TEXTURE ON EACH SIDE, AND IT MAY BE INSTALLED WITH EITHER SIDE UP. THE LINER IS 1/10" THICK AND SHELF DIVIDERS MAY BE INSTALLED ON TOP OF THE LINER. THE LINER HAS EXCELLENT ABRASION, TEAR, IMPACT, CHEMICAL AND OZONE RESISTANCE, AND IT IS BLACK IN COLOR. AVAILABLE IN TWO WIDTHS TO FIT IN 12" AND 16" SHELVES. AVAILABLE LOOSE ONLY PACKAGED IN 20 FOOT LONG ROLLS, AND IT CAN BE CUT TO LENGTH TO FIT THE SHELF AT TIME OF INSTALLATION.



21105366	LOOSE, 10.5" X 20' ROLL, FITS ALL 12" WIDE SHELVES	
21105374	LOOSE, 14.0" X 20' ROLL, FITS ALL 16" WIDE SHELVES	
Option No.	APPLICATION	PRICE

DIVIDER

SHELF DIVIDER IS ROLL-FORMED AND CORRUGATED FROM 20 GA. REGULAR SPANGLED G-40 GALVANIZED STEEL (16 GA. EQUIVALENT STRENGTH). ALL DIVIDERS ARE HEMMED ON BOTH EDGES AND ARE 1.88 INCHES HIGH AND OF THE PROPER LENGTH TO MATCH THE SHELF DEPTH. DIVIDERS ARE AVAILABLE LOOSE ONLY. DIVIDERS WEIGH APPROXIMATELY 0.35 POUNDS EACH. AVAILABLE FOR ALL ADJUSTABLE SHELVES.



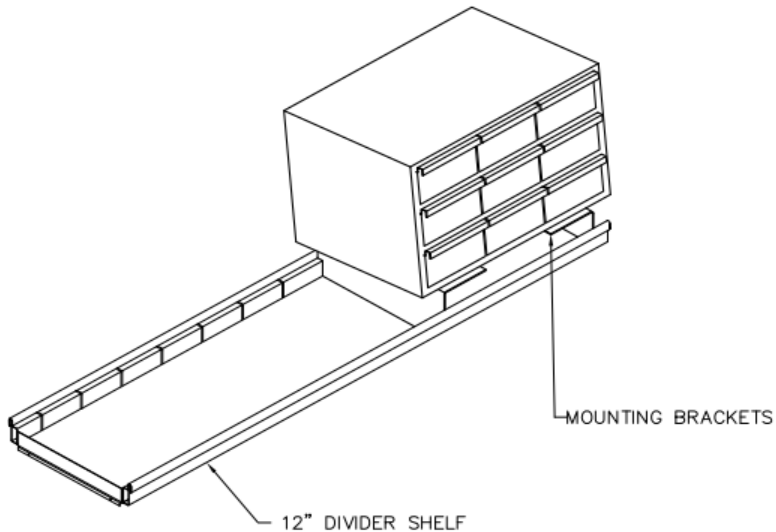
20170486	LOOSE, DIVIDERS FOR ALL 10" WIDE SHELVES, EACH	
20170494	LOOSE, DIVIDERS FOR ALL 12" WIDE SHELVES, EACH	
20170411	LOOSE, DIVIDERS FOR ALL 14" WIDE SHELVES, EACH	
20170460	LOOSE, DIVIDERS FOR ALL 16" WIDE SHELVES, EACH	
Option No.	APPLICATION	PRICE

KNAP KAP™ OPTION

9 DRAWER CABINET

NINE DRAWER CABINET IS CONSTRUCTED OF STEEL, AND ITS OVERALL DIMENSIONS ARE 17.50" WIDE X 11.62" DEEP X 11.00" HIGH. EACH DRAWER IS 5.25" WIDE X 2.75" HIGH X 11.25" LONG WITH DRAWER STOPS. 18 DIVIDERS ARE INCLUDED WITH THE CABINET. THE CABINET IS MOUNTED ON A 12" WIDE DIVIDER SHELF, WHICH MUST BE ORDERED SEPARATELY. MOUNTING BRACKETS ARE SLOPED FOR DRAWER RETENTION. WEIGHT OF THE CABINET AND MOUNTING KIT IS 26 LBS. INTERIOR SHELF UNITS MAXIMUM LOAD RATING IS 500 POUNDS PER QUADRANT. CABINET IS PROVIDED IN FINISH GRAY PAINT. AVAILABLE LOOSE ONLY FOR ALL KNAP KAP MODELS WITH THE FOLLOWING EXCEPTIONS:

- NOT AVAILABLE FOR ANY CLASSIC MODELS
- NOT COMPATIBLE WITH SHELF ENCLOSURE

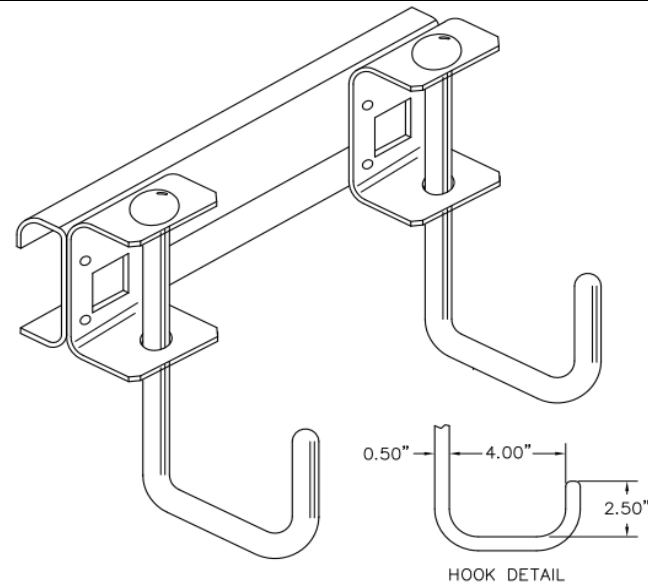


20190781	LOOSE, 9 DRAWER CABINET AND MOUNTING KIT, EACH	
Option No.	APPLICATION	PRICE

HOOK, COMBINATION STATIONARY / SWIVEL

COMBINATION STATIONARY / SWIVEL HOOKS (100 POUND RATING) WILL LOCK IN POSITION 90 DEGREES FROM THE MOUNTING SURFACE OR PARALLEL TO THE MOUNTING SURFACE. LOCKING IS ACCOMPLISHED BY MEANS OF A SQUARE SHOULDER ON THE HOOK MATING WITH A SQUARE HOLE IN THE MOUNTING BRACKET. THE HOOK IS CONSTRUCTED OF 1/2 INCH DIAMETER ROD, THE SWIVEL MOUNTING BRACKET IS 11 GA. HIGH STRENGTH STEEL, THE COMMON MOUNTING BRACKET IS 14 GA. GALVANNEALED STEEL PAINTED GRAY. ALL OTHER PARTS ARE ZINC PLATED. HOLES HAVE BEEN PROVIDED IN BRACKETS SO THE HOOK ASSEMBLY CAN BE EASITY MOUNTED TO SHELF CLIPS. THE WEIGHT OF EACH HOOK IS 1.1 LBS. AVAILABLE LOOSE ONLY FOR ALL KNAP KAP MODELS WITH THE FOLLOWING EXCEPTIONS:

- THE CLASSIC MODELS HAVE NO SHELF CLIPS FOR INSTALLATION OF THE HOOKS. HOOKS MUST BE WELDED IN POSITION IF USED ON THESE MODELS.



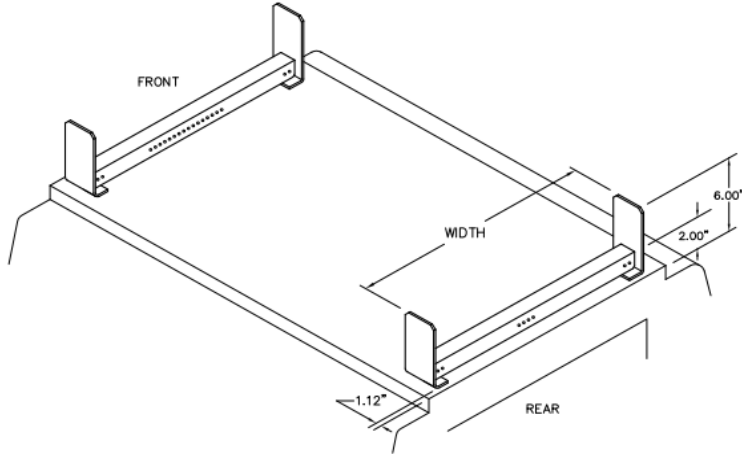
26802306	LOOSE, BOX OF 4 HOOKS WITH TWO 14 GA. COMMON BRACKETS	
Option No.	APPLICATION	PRICE

K NAP K AP™ OPTION

LADDER RACK, TOP MOUNT

TOP MOUNT LADDER RACK IS MADE UP OF TWO LADDER RACK SUPPORTS. THE SUPPORTS ARE CONSTRUCTED OF A 14 GAUGE GALVANNEAL CROSS BAR AND TWO STEEL END CAPS. THE END CAPS AND CHANNEL SHAPED CROSS BAR HAVE BEEN PREPUNCHED WITH HOLES FOR EASE OF INSTALLING OPTIONAL EQUIPMENT TO LADDER RACK. SUPPORT ASSEMBLIES ARE PRIME PAINTED. THE WEIGHT OF THE TOP MOUNT LADDER RACK IS 12 LBS. LOAD CARRYING CAPACITY IS 300 LBS, WHEN MOUNTED ACCORDING TO RECOMMENDED PROCEDURES. AVAILABLE LOOSE ONLY.

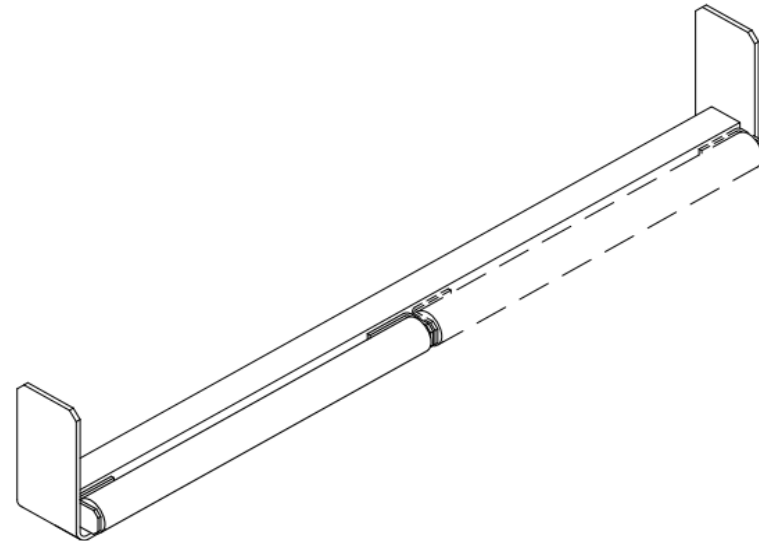
WIDTH	APPLICABLE MODELS
50.50	KKL 77B, 79B, 80B, 81B, 82B, 83B, 85B, 86B, 97B, 98B, 99B, 103B, 105B, 107B, 110B, 111B, 112B, 115B KKH 97B, 98B, 99B, 103B, 105B, 107B, 112B, 115B KKCL 100, 102, 106, 108B, 109B, 111, 113 KKCH 100, 102, 104, 106, 111, 113, 114
30.50	KKL 73B, 75B, 78B, 84B, 88B, 91B, 96B



20220638	LOOSE, LADDER RACK AND MOUNTING HARDWARE, 50.50"	
20220760	LOOSE, LADDER RACK AND MOUNTING HARDWARE, 30.50"	
20221081	LOOSE, LADDER RACK AND MOUNTING HARDWARE, 50.50" FOR CLASSIC MODELS, KKCL100, KKCL102, KKCH100, KKCH102, KKCL106, KKCH106, KKCL111, KKCH111, KKCL113, KKCH113	
20221107	LOOSE, LADDER RACK AND MOUNTING HARDWARE, 50.50" FOR CLASSIC MODELS, KKCH104, KKCH114, KKCL108B, KKCL109B	
Option No.	APPLICATION	PRICE

ROLLER, LADDER RACK

LADDER RACK ROLLER IS DESIGNED TO ASSIST IN LOADING AND UNLOADING OF HEAVY LADDERS. MOUNTING HOLES HAVE BEEN PROVIDED FOR EASE OF INSTALLING TO LADDER RACK SUPPORTS. A SINGLE ROLLER CAN BE MOUNTED EITHER ON THE RIGHT OR LEFT SIDE. DOUBLE ROLLERS ARE APPLICABLE ONLY TO FULL WIDTH LADDER RACKS (50.50"). IT IS RECOMMENDED THAT LADDER RACK RAILS ALSO BE INSTALLED TO GUIDE THE LADDER IN PLACE. THE ROLLER IS MADE OF 1.25" DIAMETER STEEL TUBING WITH A BONDED BLACK RUBBER COATING TO PROTECT THE LADDER. THE ROLLER IS MOUNTED ON A ZINC PLATED .50" DIAMETER STEEL ROD USING NYLON BEARINGS. THE ZINC PLATED MOUNTING BRACKETS ARE MADE OF .125" PLATE. THE ROLLER IS SIZED TO ACCOMMODATE UP TO A 24" WIDE LADDER. THE WEIGHT IS 9.5 LBS. AVAILABLE LOOSE ONLY.

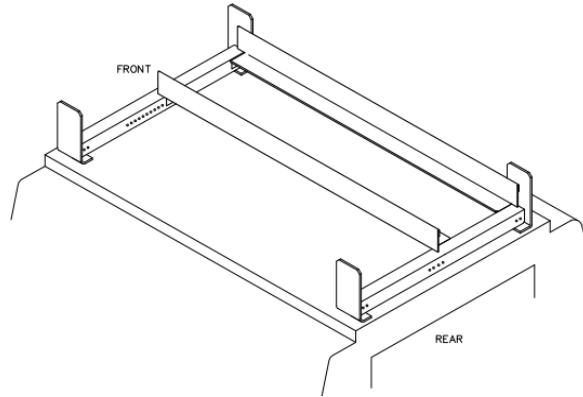


20062469	LOOSE, SINGLE LADDER RACK ROLLER AND MOUNTING HARDWARE, EACH	
20062477	LOOSE, DOUBLE LADDER RACK ROLLERS AND MOUNTING HARDWARE, EACH	
Option No.	APPLICATION	PRICE

KNAP KAP™ OPTION

RAILS, LADDER RACK

LADDER RACK RAILS FOR USE IN CONJUNCTION WITH TOP MOUNT LADDER RACK FOR EASIER LOADING AND IN APPLICATIONS WHERE THE LADDER IS SHORTER THAN THE DISTANCE BETWEEN THE LADDER RACK SUPPORTS. LADDER RACK MUST BE ORDERED SEPARATELY. THE 3" X 3" ANGLE RAILS ARE MADE FROM 14 GA. GALVANNEAL AND BOTH EDGES ARE HEMMED. THE RAILS ARE DESIGNED TO BE INSTALLED WITH TORX SCREWS USING PREPUNCHED THREADED HOLES IN LADDER RACK SUPPORTS. HOLES ALLOW ADJUSTMENT FOR LADDERS FROM 16" TO 24" WIDE. THE WEIGHT IS 27 LBS PER PAIR. SEE CHART BELOW FOR AVAILABLE LENGTHS. RAILS COME WITH EXTERIOR PRIME PAINT. AVAILABLE LOOSE ONLY FOR ALL KNAP KAP MODELS.

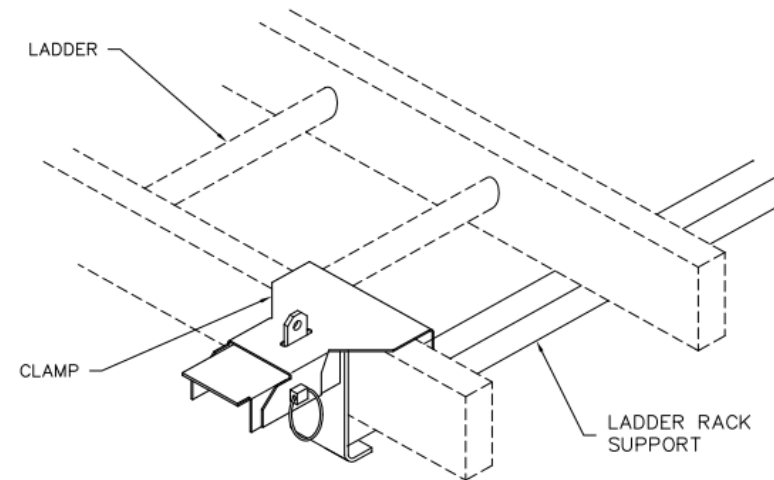


LENGTH	MODEL
94.75	KKL110B, KKL107B, KKL105B, KKL103B, KKL99B, KKL98B, KKL97B, KKL96B, KKL112B, KKH110B, KKH107B, KKH105B, KKH103B, KKH99B, KKH98B, KKH97B, KKH112B, KKCL111, KKCL106, KKCL102, KKCL101, KKCL100, KKCL113, KKCH111, KKCH106, KKCH104, KKCH102, KKCH100, KKCH113, KKCH114
82.75	KKL88B, KKL91B, KKL84B
76.75	KKL85B, KKL83B, KKL82B, KKL81B, KKL80B, KKL79B, KKL78B, KKL77B
70.75	KKL73B, KKL75B, KKL86B

20220786	LOOSE, ONE PAIR OF LADDER RACK RAILS, 94.75" LENGTH	
20220794	LOOSE, ONE PAIR OF LADDER RACK RAILS, 82.75" LENGTH	
20220802	LOOSE, ONE PAIR OF LADDER RACK RAILS, 76.75" LENGTH	
20220810	LOOSE, ONE PAIR OF LADDER RACK RAILS, 70.75" LENGTH	
Option No.	APPLICATION	PRICE

LADDER CLAMP

LADDER CLAMP IS DESIGNED TO ATTACH TO THE END CAPS OF THE LADDER RACK. LADDER RACK MUST BE ORDERED SEPARATELY. THE LADDER CLAMP IS ADJUSTABLE IN TWO DIRECTIONS TO FIT LADDERS WITH SIDE RAILS UP TO 8" DEEP AND 2" THICK. A QUICK PIN SECURES CLAMP IN THE CLOSED POSITION BUT ALLOWS FOR EASY OPERATION. EACH CLAMP HAS A PADLOCK TAB. ALL PARTS OF THE CLAMP ARE ZINC PLATED TO PROVIDE MAXIMUM CORROSION PROTECTION. THE WEIGHT OF EACH CLAMP IS 2.5 LBS. AVAILABLE LOOSE ONLY.

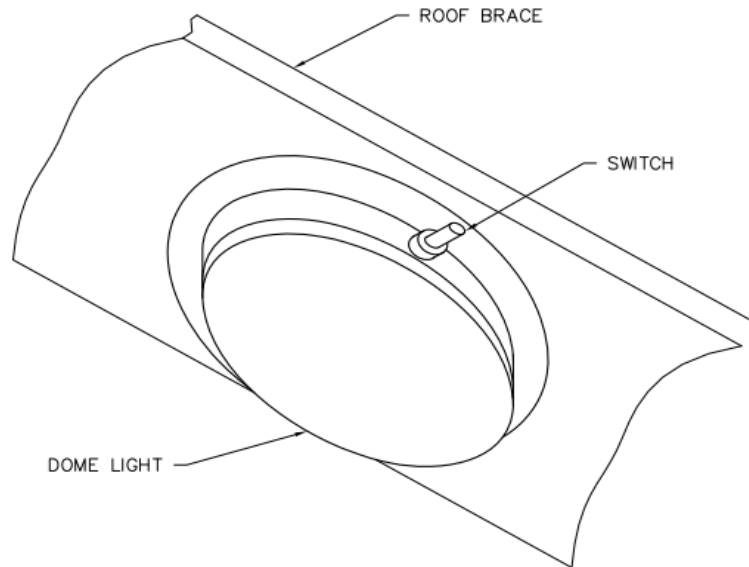


20220612	LOOSE, TWO LADDER CLAMPS AND MOUNTING HARDWARE	
Option No.	APPLICATION	PRICE

KNAP KAP™ OPTION

DOME LIGHT

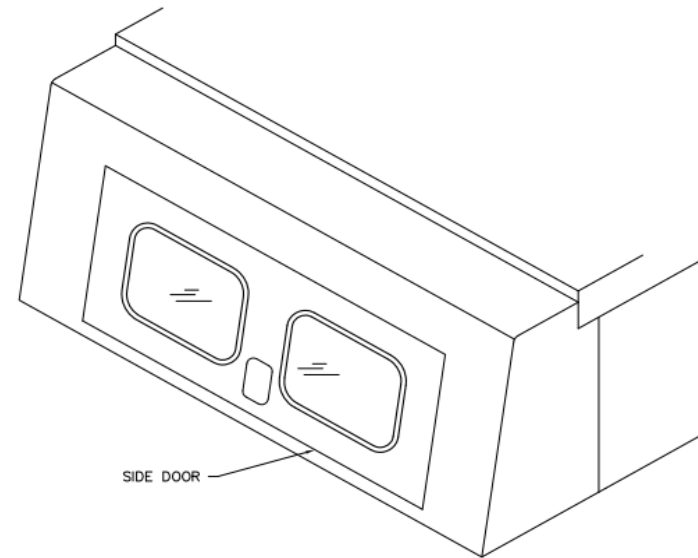
KIT INCLUDES SIX INCH DIAMETER DOME LIGHT (21 CANDLEPOWER BULB) AND MOUNTING HARDWARE. LIGHT IS CONTROLLED WITH AN ON / OFF PUSH BUTTON SWITCH. PREPUNCHED MOUNTING HOLES IN ROOF BRACES WILL ACCOMMODATE TWO DOME LIGHTS. WEIGHT IS 1 POUND. AVAILABLE LOOSE ONLY.



20220828	LOOSE, ONE LIGHT WITH SWITCH AND MOUNTING HARDWARE	
Option No.	APPLICATION	PRICE

WINDOWS IN SIDE DOORS

WINDOWS IN SIDE DOORS ARE 12" X 24" TEMPERED SAFETY GLASS. TWO WINDOWS PER SIDE DOOR. GLASS IS RETAINED WITH RUBBER SEAL WITH A LOCKING STRIP TO INSURE A TIGHT FIT AND BE WATER TIGHT. AVAILABLE INSTALLED ON ALL KNAP KAP MODELS WITH THE FOLLOWING EXCEPTIONS:
- NOT AVAILABLE ON ANY CLASSIS MODELS



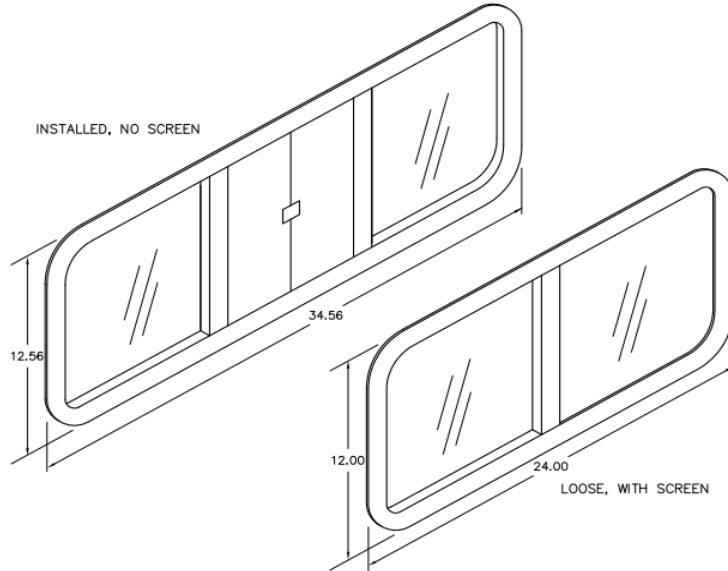
77005015	INSTALLED, SIDE DOOR WITH 2 WINDOWS, BOTH SIDES	
77005023	INSTALLED, SIDE DOOR WITH 2 WINDOWS, STREET SIDE	
77005031	INSTALLED, SIDE DOOR WITH 2 WINDOWS, CURB SIDE	
Option No.	APPLICATION	PRICE

KNAP KAP™ OPTION

SLIDING GLASS WINDOW - BULKHEAD

LOOSE (12X24) RECTANGULAR SLIDING WINDOW OPTION IS HALF SLIDING WITH FIXED SCREEN. SLIDING (12X24) WINDOW COMES WITH A BLACK ALUMINUM FRAME AND CLEAR TEMPERED SAFETY GLASS. SLIDING (12X24) GLASS WINDOW USES SAME CUT-OUT AND SEAL AS FIXED GLASS WINDOW IN BULKHEAD. THE WINDOW MAY BE INSTALLED IN THE BULKHEAD WITH THE SLIDING SECTION ON THE RIGHT OR LEFT. THE INSTALLED (12X34) SLIDING WINDOW OPTION IS TWO SLIDING CENTER SECTIONS WITH NO SCREEN. THE WEIGHT OF EACH WINDOW IS 5 LBS. AVAILABLE FOR ALL KNAP KAP MODELS WITH THE FOLLOWING EXCEPTIONS:

- NOT FOR USE IN THE SIDE DOORS
- NOT COMPATIBLE WITH WINDOW GUARD OPTION
- OPERATES FROM INSIDE KAP ONLY, CANNOT BE REVERSED IN BULKHEAD
- WINDOW (12X34) IS NOT AVAILABLE FOR COMPACT KAPS, KKCL108 OR KKCL109

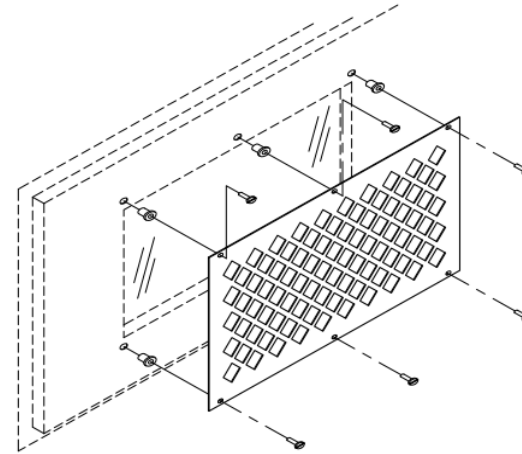


12210597	LOOSE, UNIVERSAL SLIDING WINDOW, 12 X 24, EACH	
77003192	INSTALLED, SLIDING WINDOW, NO SCREEN, 12 X 34 EACH	
Option No.	APPLICATION	PRICE

WINDOW GUARD

WINDOW GUARD, CONSTRUCTED OF 18 GAUGE SPANGLED STEEL, PROTECTS THE WINDOW FROM THE INSIDE OF THE KNAP KAP. THE GUARD ATTACHES WITH SCREWS FOR EASE OF INSTALLATION AND REMOVAL FOR CLEANING. THREADED INSERTS AND SCREWS PROVIDED CAN BE INSTALLED WITH A SCREW DRIVER. MOUNTING HOLES HAVE BEEN PREPUNCHED IN DOOR LINERS OF THE SIDE AND REAR DOORS. THE WEIGHT OF EACH GUARD IS 3.8 LBS. AVAILABLE LOOSE ONLY FOR USE ON ALL KNAP KAP MODELS WITH THE FOLLOWING EXCEPTIONS:

- NOT COMPATIBLE WITH SLIDING GLASS WINDOW OPTION



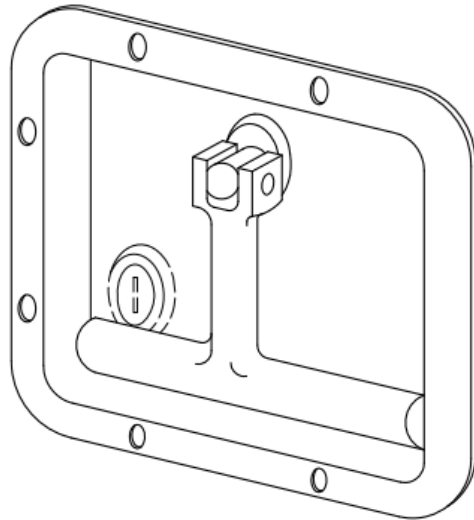
21781604	LOOSE, TWO GUARDS FOR SIDE DOOR (12X24 WINDOWS)	
21781612	LOOSE, ONE GUARD FOR SINGLE VERTICAL REAR DOOR (12X24 WINDOW) KKH MODELS	
21781646	LOOSE, ONE GUARD FOR BULKHEAD (12X24 WINDOW)	
77003184	LOOSE, ONE GUARD FOR HORIZONTAL REAR DOOR (KKL110B, KKL105B, KKL103B, KKL99B, KKL98B, KKL97B, KKL83B, KKL82B, KKL81B, KKL80B, KKL79B, KKL77B, KKL112B AND CLASSIC USE 9X30 GUARD, ALL OTHER MODELS USE 12X 24 GUARD)	
21781653	LOOSE, ONE GUARD FOR COMBO SIDE DOOR (9X30 WINDOW)	
21781638	LOOSE, TWO GUARDS FOR DOUBLE VERTICAL REAR DOORS (9X30 WINDOWS)	
Option No.	APPLICATION	PRICE

KNAP KAP™ OPTION

STAINLESS TWIST LOCK, T-HANDLE

POLISHED STAINLESS TWIST LOCKS WITH CHROME T-HANDLE. EXTRA LARGE 4 INCH WIDE, 1/2 INCH DIAMETER HANDLE PROVIDES EASY OPERATION WITHOUT STRAINING THE FINGERS. INSTALLED LATCHES ARE IN LIEU OF THE STANDARD LATCHES. LOOSE KIT FOR USE WITH HORIZONTAL REAR DOORS CONTAINS THREE LEFT HAND LOCKS. THE LOOSE KIT FOR VERTICAL REAR DOORS CONTAINS TWO LEFT HAND AND ONE RIGHT HAND LOCK. AVAILABLE AS LISTED BELOW.

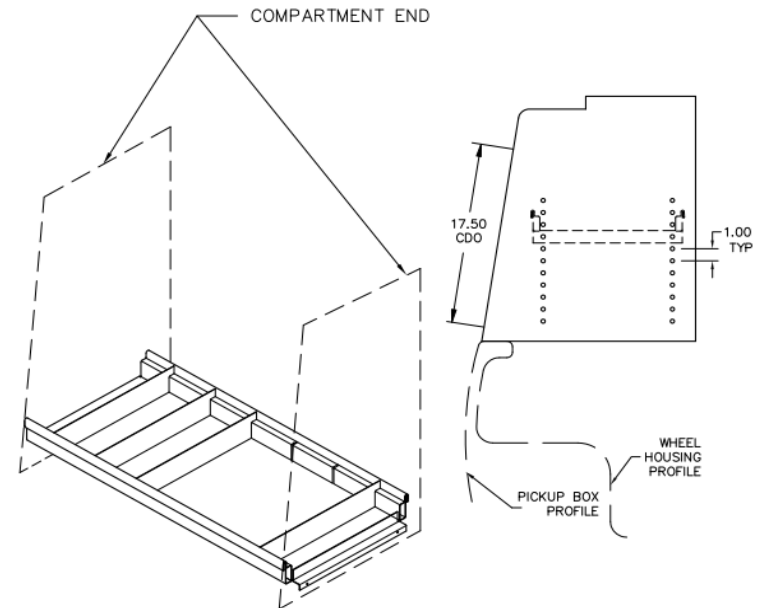
NOTE: TWIST LOCK LOOSE KITS ARE FOR USE WITH KAPS BUILT 2003 & LATER



77005510	INSTALLED, 2 LATCHES FOR KKL & KKH	
77005528	INSTALLED, 3 LATCHES FOR KKL-FI & KKH-FI	
77005536	INSTALLED, 5 LATCHES FOR KKCL & KKCH	
21108287	LOOSE, BOX OF THREE LOCKS, USE WITH HORIZONTAL REAR DOOR	
26206383	LOOSE, BOX OF ONE LOCK, USE WITH VERTICAL REAR DOOR	
21108295	LOOSE, BOX OF THREE LOCKS, USE WITH VERTICAL REAR DOOR	
21108279	LOOSE, BOX OF FIVE LOCKS, FOR CLASSIC MODELS	
Option No.	APPLICATION	PRICE

SHELF, ADJUSTABLE DIVIDER TYPE

250 POUND RATING ADJUSTABLE SHELF, (INTERIOR SHELF UNITS RATED AT 500 POUND MAXIMUM LOAD PER QUADRANT) ROLL-FORMED FROM 18 GA. REGULAR SPANGLED G-40 GALVANIZED STEEL. DIVIDER SLOTS ARE ON 4 INCH CENTERS. FOUR DIVIDERS ARE INCLUDED, AND ADDITIONAL DIVIDERS MAY BE ORDERED SEPARATELY. SHELVES CAN BE INSTALLED IN ONE INCH INCREMENTS IN THE STREET SIDE COMPARTMENT ONLY. UP TO THREE SHELVES MAY BE USED PER COMPARTMENT. APPROXIMATE WEIGHT OF A SHELF IS 31 LBS.

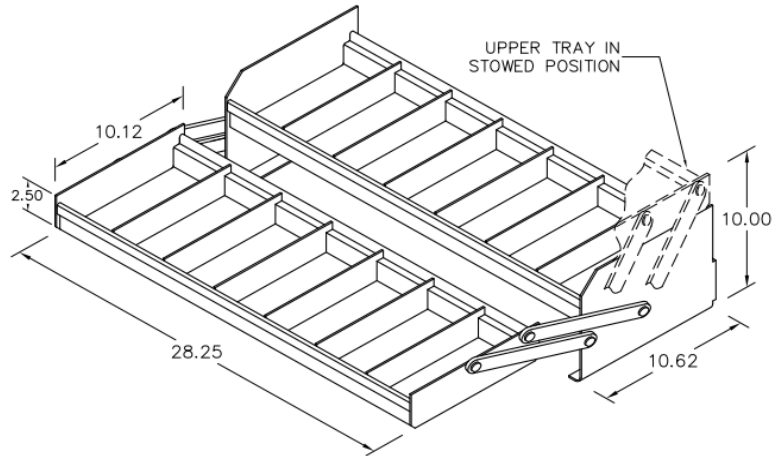


20175337	LOOSE, 16" X 51" WIDE DIVIDER SHELF, STREET REAR, EACH	
20175345	LOOSE, 16" X 43" WIDE DIVIDER SHELF, STREET FRONT, EACH	
20170502	LOOSE, SHELF DIVIDER	
Option No.	APPLICATION	PRICE

KNAP KAP™ OPTION

FOLD-OUT 28" DIVIDER TRAY WITH 6 DIVIDERS, LOOSE

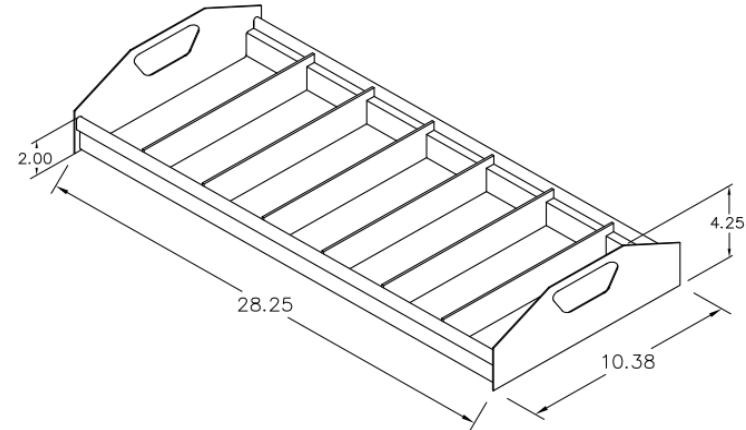
FOLD-OUT SHELF IS ROLL-FORMED FROM 18 GA. SPANGLED G-40 GALVANIZED STEEL. DIVIDER SLOTS ARE ON 4 INCH CENTERS. THE SHELF DIVIDER IS ROLL-FORMED AND CORRUGATED FROM 20 GA. SPANGLED G-40 GALVANIZED STEEL (16 GA. EQUIVALENT STRENGTH). ALL DIVIDERS ARE HEMMED ON BOTH EDGES AND ARE 1.88 INCHES HIGH AND OF THE PROPER LENGTH TO MATCH THE SHELF DEPTH. THE PLATE ENDS OF THE TRAYS ARE 11 GA STEEL WITH 1/4" X 1" STEEL HINGE ARMS. APPROXIMATE WEIGHT OF A SHELF IS 27 LBS. AVAILABLE LOOSE ONLY FOR ALL CLASSIC MODELS, KNAP KAPS WITH PACKAGE E (FULL LENGTH TOOLBOX) AND ALL ABOVE BODY TOOLBOX.



20080305	FOLD-OUT 28" DIVIDER TRAY WITH SIX DIVIDERS, LOOSE	
Option No.	APPLICATION	PRICE

LIFT-OUT 28" DIVIDER TRAY WITH 6 DIVIDERS, LOOSE

LIFT-OUT SHELF IS ROLL-FORMED FROM 18 GA. SPANGLED G-40 GALVANIZED STEEL. DIVIDER SLOTS ARE ON 4 INCH CENTERS. THE SHELF DIVIDER IS ROLL-FORMED AND CORRUGATED FROM 20 GA. SPANGLED G-40 GALVANIZED STEEL (16 GA. EQUIVALENT STRENGTH). ALL DIVIDERS ARE HEMMED ON BOTH EDGES AND ARE 1.88 INCHES HIGH AND OF THE PROPER LENGTH TO MATCH THE SHELF DEPTH. THE PLATE END OF THE TRAY IS 11 GA STEEL. APPROXIMATE WEIGHT OF A SHELF IS 10 LBS. AVAILABLE LOOSE ONLY FOR ALL CLASSIC MODELS, KNAP KAPS WITH PACKAGE E (FULL LENGTH TOOLBOX) AND ALL ABOVE BODY TOOLBOX.

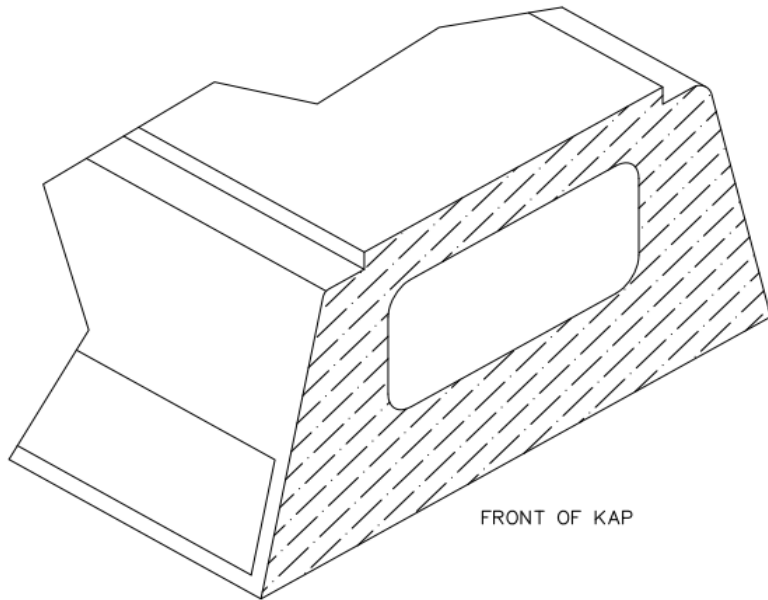


20080172	LIFT-OUT 28" DIVIDER TRAY WITH SIX DIVIDERS, LOOSE	
Option No.	APPLICATION	PRICE

KNAP KAP™ OPTION

KNAP KAP BULKHEAD PAINT

WHITE PAINT INSTALLED ON FRONT BULKHEAD OF KNAP KAPS. PAINT MATCHES GENERAL MOTORS PAINT COLOR 50U WHITE OR FORD PAINT COLOR Z1 WHITE. PAINT IS AVAILABLE ON THE FRONT BULKHEAD OF ALL KAPS.

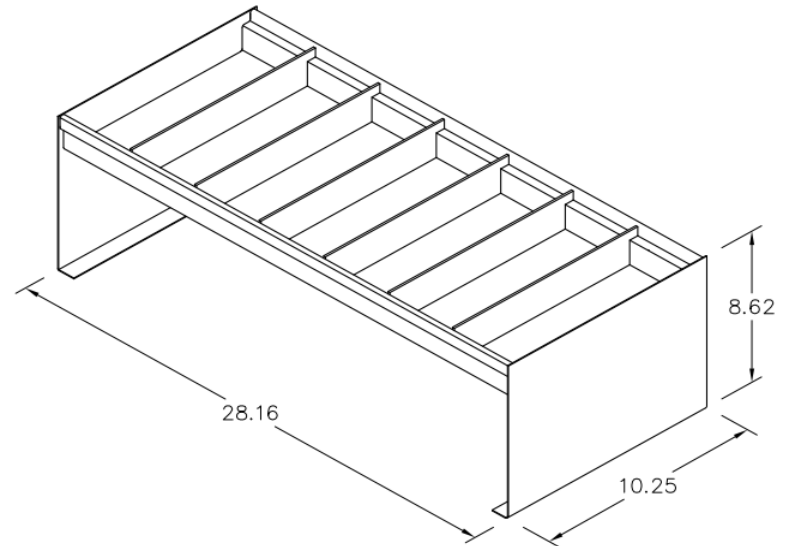


FRONT OF KAP

77005114	INSTALLED, KK BULKHEAD WHITE PAINT GM	
77005122	INSTALLED, KK BULKHEAD WHITE PAINT FORD	
Option No.	APPLICATION	PRICE

STATIONARY 28" DIVIDER TRAY WITH 6 DIVIDERS, LOOSE

STATIONARY SHELF IS ROLL-FORMED FROM 18 GA. SPANGLED G-40 GALVANIZED STEEL. DIVIDER SLOTS ARE ON 4 INCH CENTERS. THE SHELF DIVIDER IS ROLL-FORMED AND CORRUGATED FROM 20 GA. SPANGLED G-40 GALVANIZED STEEL (16 GA. EQUIVALENT STRENGTH). ALL DIVIDERS ARE HEMMED ON BOTH EDGES AND ARE 1.88 INCHES HIGH AND OF THE PROPER LENGTH TO MATCH THE SHELF DEPTH. THE BASE / END OF THE TRAY IS 14 GA GALVANNEAL STEEL. APPROXIMATE WEIGHT OF A SHELF IS 12 LBS. AVAILABLE LOOSE ONLY FOR ALL CLASSIC MODELS, KNAP KAPS WITH PACKAGE E (FULL LENGTH TOOLBOX) AND ALL ABOVE BODY TOOLBOX.



20080180	STATIONARY 28" DIVIDER TRAY WITH SIX DIVIDERS, LOOSE	
Option No.	APPLICATION	PRICE