

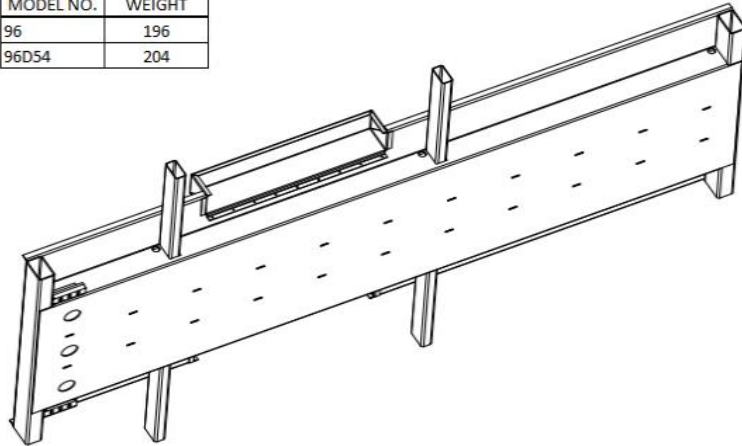
SERVICE BODY OPTION

TORSION BOX FLOOR - 96" STANDARD BODY

CRANE BODY STYLE TORSION BOX FLOOR IS SUBSTITUTED FOR THE STANDARD BODY FLOOR TO MINIMIZE THE POTENTIAL FOR BODY FRACTURING DUE TO TORSIONAL TWISTING. THE OVERALL HEIGHT OF THE 12 GAUGE TORSION BOX INCLUDING THE FLOOR PLATE IS 5.25" AND THE WIDTH IS 38". THE BODY MUST BE MOUNTED HIGHER ON THE CHASSIS THAN A STANDARD BODY (FORD 2", GM 1", AND RAM .5") FOR TORSION BOX CLEARANCE. THE ADDED WEIGHT FOR THE TORSION BOX FLOOR IS SHOWN IN THE TABLE BELOW. THE MOUNTING KIT MUST BE ORDERED FROM THE SELECTION BELOW BASED ON CHASSIS APPLICATION, AND THE STANDARD BODY MOUNTING KIT MUST BE DELETED FROM THE ORDER. AVAILABLE INSTALLED ONLY ON THOSE BODIES LISTED IN THE WEIGHT TABLE BELOW WITH THE FOLLOWING EXCEPTIONS:

- NOT AVAILABLE ON PLUS 50 BODIES
- NOT AVAILABLE ON D38 BODIES
- NOT AVAILABLE ON WESTERNER STORAGE BODIES
- NOT COMPATIBLE WITH THE CRK CRANE OPTION

MODEL NO.	WEIGHT
96	196
96D54	204



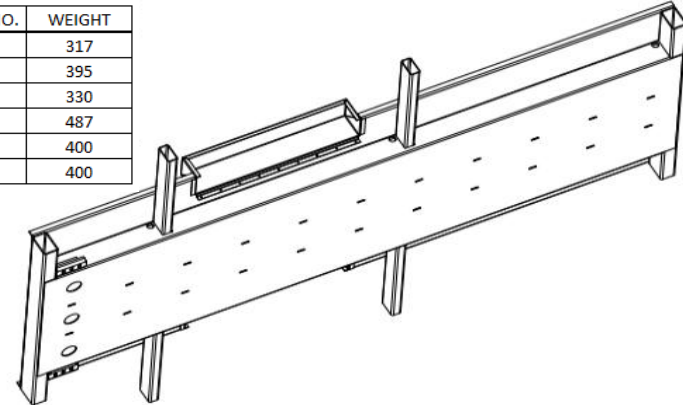
77008647	INSTALLED, 96" TORSION BOX FLOOR	
77013530	INSTALLED, 96" TORSION BOX FLOOR, 2017 & LATER FORD	
20051550	LOOSE, MOUNTING KIT - FORD F-SERIES, 2017 & LATER	
26115766	LOOSE, MOUNTING KIT - FORD F-SERIES, 2008 - 2016	
26115782	LOOSE, MOUNTING KIT - GM C / K - SERIES, 2001 & LATER	
26115774	LOOSE, MOUNTING KIT - RAM 2003 & LATER	
Option No.	APPLICATION	PRICE

TORSION BOX FLOOR - 108" / 132" / 157" STD BODY

CRANE BODY STYLE TORSION BOX FLOOR IS SUBSTITUTED FOR THE STANDARD BODY FLOOR TO MINIMIZE THE POTENTIAL FOR BODY FRACTURING DUE TO TORSIONAL TWISTING. THE OVERALL HEIGHT OF THE 7 GAUGE TORSION BOX INCLUDING THE FLOOR PLATE IS 5.31" AND THE WIDTH IS 34". "D" MODELS FOR GM C / K SERIES CHASSIS HAVE 3" SPACERS UNDER TORSION FLOOR FOR FUEL HOSE CLEARANCE AND WILL SET 3" HIGHER ON CHASSIS. THE ADDED WEIGHT FOR THE TORSION BOX FLOOR IS SHOWN IN THE TABLE BELOW. THE MOUNTING KIT MUST BE ORDERED FROM THE SELECTION BELOW BASED ON CHASSIS APPLICATION, AND THE STANDARD BODY MOUNTING KIT MUST BE DELETED FROM THE ORDER. AVAILABLE INSTALLED ONLY ON THOSE BODIES LISTED IN THE WEIGHT TABLE BELOW WITH THE FOLLOWING EXCEPTIONS:

- NOT COMPATIBLE WITH 2003-2005 C4500 / 5500 DUE TO FUEL FILL HOSES GOING OVER TOP OF FRAME
- NOT AVAILABLE ON PLUS 50 BODIES, W-SERIES, XW SERIES OR WESTERNER STORAGE BODIES
- NOT COMPATIBLE WITH CRK CRANE OPTION

MODEL NO.	WEIGHT
108	317
108D	395
108D54	330
132D	487
132D54	400
157D54	400



77008605	INSTALLED, 108" TORSION BOX FLOOR	
77008613	INSTALLED, 132" TORSION BOX FLOOR	
77008621	INSTALLED, 157" TORSION BOX FLOOR	
26115733	LOOSE, MOUNTING KIT - FORD F-SERIES, 2008 & LATER	
26115758	LOOSE, MOUNTING KIT - GM C / K SERIES, 2001 & LATER	
26115741	LOOSE, MOUNTING KIT - RAM 2007 & LATER	
26115725	LOOSE, MOUNTING KIT - GM C4500 / 5500 & MEDIUM DUTY	
Option No.	APPLICATION	PRICE