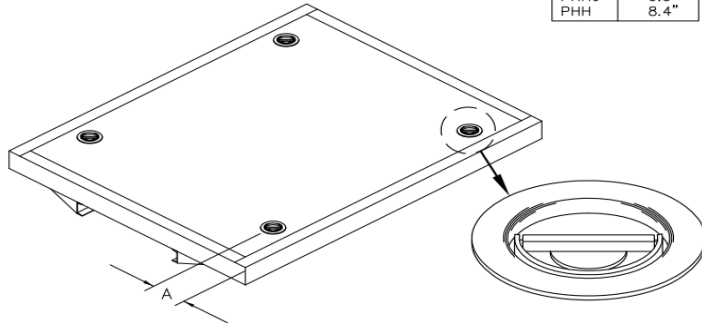


PLATFORM OPTIONS

CARGO TIE-DOWN

D-RING, SWIVEL STYLE, 2000 POUND RATED, CARGO TIE-DOWNS LOOSE OR INSTALLED IN STEEL, OR WOOD FLOORS. D-RING OPENING IS 3.25" LONG X 1.50" HIGH AT MIDPOINT. THE NUMBER OF CARGO TIE-DOWNS AND THE LOCATION IS PREDESIGNED FOR THE INSTALLED OPTION, AND THAT INFORMATION CAN BE FOUND UNDER THE "SPECIFICATIONS TAB". ONE CARGO TIE-DOWN CUP AND MOUNTING SUPPORT IS PROVIDED FOR EACH UNIT SHIPPED LOOSE. AVAILABLE FOR ALL PLATFORM MODELS WITH THE FOLLOWING EXCEPTION:
- NOT AVAILABLE ON PG, PGN, OR GCHD MODELS

MODEL	DIM. "A"
PVMX	6.9"
PCH	6.9"
PHHJ	6.9"
PHH	8.4"



CARGO TIE-DOWNS LOOSE

Option No.	APPLICATION	PRICE
85347201	LOOSE, FOR 24" CROSS SILL SPACING, PRICE EACH	
85347219	LOOSE, FOR 18" CROSS SILL SPACING, PRICE EACH	
85347235	LOOSE, FOR 16" CROSS SILL SPACING, PRICE EACH	
85347227	LOOSE, FOR 12" CROSS SILL SPACING, PRICE EACH	

CARGO TIE-DOWN - CONTINUED

WOOD FLOOR

77501500	INSTALLED, 7'-10' PLATFORM, 80, 94 OR 96 SERIES WITH STANDARD CROSS SILL SPACING	
77501518	INSTALLED, 7'-10' PLATFORM, 80, 94 OR 96 SERIES WITH OPTIONAL 12" CROSS SILL SPACING	
77501526	INSTALLED, 11'-14' PLATFORM, 94, 96 OR 102 SERIES WITH STANDARD CROSS SILL SPACING	
77501534	INSTALLED, 11'-14' PLATFORM, 94 OR 96 SERIES WITH OPTIONAL 12" CROSS SILL SPACING	
77501542	INSTALLED, 15'-18' PLATFORM, 94, 96 OR 102 SERIES WITH STANDARD CROSS SILL SPACING	
77501559	INSTALLED, 20'-22' PLATFORM, 94, 96 OR 102 SERIES WITH STANDARD CROSS SILL SPACING	
77501567	INSTALLED, 24'-26' PLATFORM, 94, 96 OR 102 SERIES WITH STANDARD CROSS SILL SPACING	
OPTION NO.	APPLICATION	PRICE

STEEL FLOOR

77501609	INSTALLED, 7'-10' PLATFORM, 80, 94 OR 96 SERIES WITH STANDARD CROSS SILL SPACING	
77501617	INSTALLED, 7'-10' PLATFORM, 80, 94 OR 96 SERIES WITH OPTIONAL 12" CROSS SILL SPACING	
77501625	INSTALLED, 11'-14' PLATFORM, 94, 96 OR 102 SERIES WITH STANDARD CROSS SILL SPACING	
77501633	INSTALLED, 11'-14' PLATFORM, 94 OR 96 SERIES WITH OPTIONAL 12" CROSS SILL SPACING	
77501641	INSTALLED, 15'-18' PLATFORM, 94, 96 OR 102 SERIES WITH STANDARD CROSS SILL SPACING	
77501658	INSTALLED, 20'-22' PLATFORM, 94, 96 OR 102 SERIES WITH STANDARD CROSS SILL SPACING	
77501666	INSTALLED, 24'-26' PLATFORM, 94,96 OR 102 SERIES WITH STANDARD CROSS SILL SPACING	
Option No.	APPLICATION	PRICE