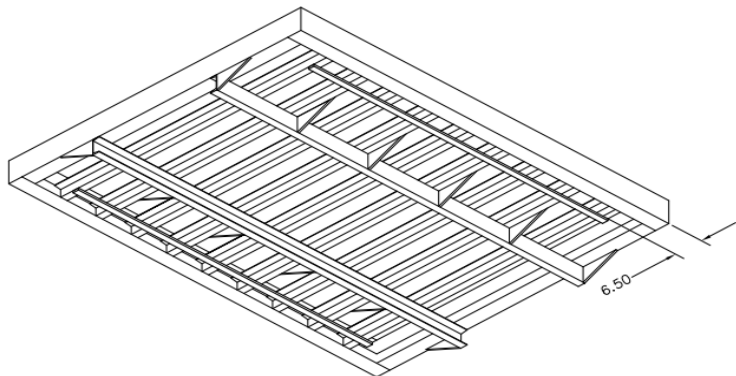


PLATFORM OPTIONS

UNDERBODY TIE DOWN RAILS

3/8" X 2" STEEL TIE DOWN RAIL IS WELDED TO THE UNDERSIDE OF ALL CROSS SILLS, ONE EACH SIDE OF PLATFORM, RUNNING FROM THE FIRST CROSS SILL TO THE LAST CROSS SILL. THE TIE DOWN RAIL IS LOCATED 6.50" IN FROM THE OUTSIDE OF THE PLATFORM SIDE RAIL. AVAILABLE ON ALL PLATFORM MODELS WITH THE FOLLOWING EXCEPTIONS:

- NOT AVAILABLE ON GCDH MODELS
- NOT AVAILABLE ON PHHJ MODELS
- NOT AVAILABLE ON PGN MODELS



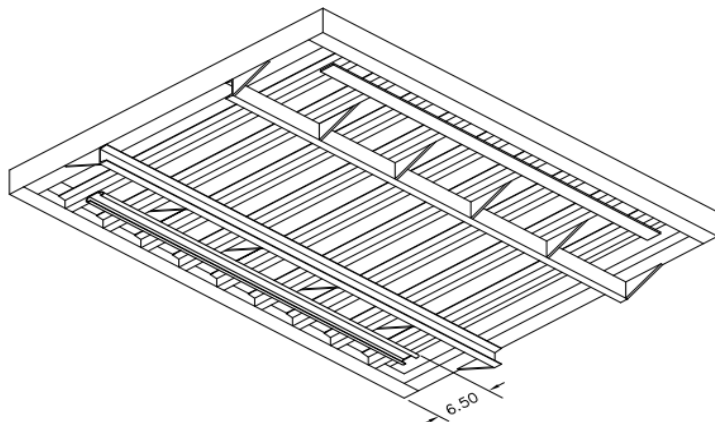
* PRICE PER FOOT

77502011	INSTALLED, ALL PLATFORMS WITH STANDARD CROSS SILL SPACING *	
77502003	INSTALLED, ALL PLATFORMS WITH OPTIONAL 12" CROSS SILL SPACING*	
Option No.	APPLICATION	PRICE *

UNDERBODY SLIDING TIE DOWN CHANNEL

FORMED TIE DOWN CHANNEL IS WELDED TO THE CURBSIDE OF THE CROSS SILLS. THE FLAT RAIL IS WELDED TO THE STREET SIDE OF THE PLATFORM, IN MOST CASES THE TIE DOWN AND CHANNEL RAILS ARE ATTACHED FROM THE FIRST TO THE LAST CROSS SILL (ISOLATED CASES LEAVE THE FRONT AND / OR REAR CROSS SILL OPEN). THE TIE DOWN RAIL IS LOCATED AS SHOWN FROM THE OUTSIDE OF THE PLATFORM SIDE RAIL EXCEPT FOR PHH MODELS WHICH ARE 10.5". THE SLIDING TIE DOWN CHANNEL IS DESIGNED FOR USE WITH "BUYERS" PART NUMBER 1903035 STORABLE 4" WINCH. CONSULT THE BUYERS CATALOG. AVAILABLE ON ALL PLATFORM MODELS WITH THE FOLLOWING EXCEPTIONS:

- NOT AVAILABLE ON GCDH MODELS
- NOT AVAILABLE ON PLATFORMS UNDER 9'
- NOT AVAILABLE ON PGN PLATFORMS



* PRICE PER FOOT

77502037	INSTALLED, ALL PLATFORMS WITH STANDARD CROSS SILL SPACING *	
77502045	INSTALLED, ALL PLATFORMS WITH OPTIONAL 12" CROSS SILL SPACING *	
Option No.	APPLICATION	PRICE *