

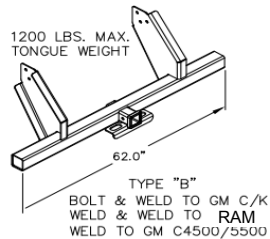
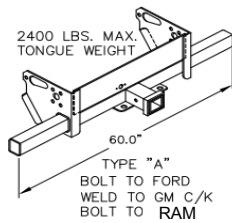
PLATFORM OPTIONS

RECEIVER HITCH-CLASS V-ICC BUMPER

COMBINATION CLASS V RECEIVER HITCH AND ICC BUMPER INTENDED TO BE USED IN CONJUNCTION WITH A PLATFORM OR DUMP BODY ON CURRENT YEAR PRODUCTION 34" FRAME WIDTH CAB CHASSIS. HITCH IS RATED AT 12,000 LBS MAXIMUM TRAILER WEIGHT AND MAXIMUM TONGUE WEIGHT VARIES BY TYPE AS SHOWN BELOW. HITCH REQUIRES A DRAWBAR WITH 2.5" SQUARE SHANK (SEE ELSEWHERE THIS SECTION). INCLUDES A RECEIVER ASSEMBLY WITH INTEGRAL MOUNTING PLATES AND ICC BUMPER, MOUNTING HARDWARE, PIN, CLIP, AND INSTALLATION INSTRUCTIONS. ALL HITCHES ARE SHIPPED WITH A BLACK TOP COAT FINISH. ALL HITCHES WEIGH APPROXIMATELY 110 LBS.

NOTE: DO NOT EXCEED THE TOWING CAPACITY SPECIFIED BY THE CHASSIS MANUFACTURER IF IT IS LESS THAN THE ABOVE STATED HITCH CAPACITY.

NOTE: COMPATIBLE WITH 34" FRAME WIDTH 60" CA AND LONGER CAB CHASSIS. NOT COMPATIBLE WITH 38" OR WIDER 56" CA OR SHORTER FACTORY BOX DELETE OR PICKUP BOX REMOVAL PICKUP CHASSIS



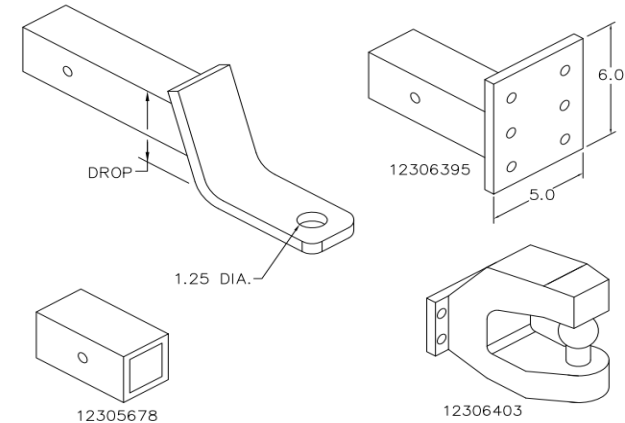
TYPE "C" - NOT SHOWN, 2400 LBS. MAX. TONGUE WEIGHT UNDER FRAME WELD-ON FOR ALL APPLICATIONS

CHASSIS WITH FULL FACTORY AFTER FRAME:			
Option No.	APPLICATION	TYPE	PRICE
80009210	RECEIVER HITCH FOR SPRINTER 3500	A	
85410124	RECEIVER HITCH FOR FORD SUPER DUTY & GM 3500 C/K	A	
85415941	RECEIVER HITCH FOR 2007 & NEWER RAM CHASSIS CAB	A	
85415958	RECEIVER HITCH FOR 2007 & NEWER RAM OR GM C/K 84 CA CHASSIS CAB - 10' PLATFORM ON 60 CA, 12' PLATFORM ON 84 CA	B	
85414878	RECEIVER HITCH FOR 2003-2008 GM C4500/5500	A	
CHASSIS WITH AFTER-FRAME SHORTENED TO 2.5" BEHIND SPRING HANGER:			
85414852	RECEIVER HITCH FOR 2001 & NEWER GM 3500 C/K	C	
85414860	RECEIVER HITCH FOR 2003-2008 GM C4500/5500 (N/A WITH EITHER 40 OR 60 GAL. REAR TANK)	C	
Option No.	APPLICATION	TYPE	PRICE

RECEIVER HITCH DRAWBARS - 2.5"

RECEIVER HITCH DRAWBARS ARE FOR USE WITH CLASS V 2.5" RECEIVER HITCHES. DRAWBARS HAVE 2.5" SQUARE SHANKS AND ARE RATED AT 12,000 LBS MAX. TRAILER WEIGHT AND 1200 LBS. MAX. TONGUE WEIGHT. PINTLE HOOK WITH BALL COMBINATION IS RATED AT 16,000 LBS. MAX. TRAILER WEIGHT AND 3000 LBS TONGUE WEIGHT. SHIPPED WITH A BLACK TOP COAT FINISH.

NOTE: DO NOT EXCEED THE TOWING CAPACITY SPECIFIED BY THE CHASSIS MANUFACTURER. DO NOT EXCEED THE RATED HITCH CAPACITY OR THE RATED DRAWBAR CAPACITY. IF ADAPTER (12305678) IS USED, DO NOT EXCEED THE RATED CAPACITY OF THE 2.0 INCH SQUARE SHANK DRAWBAR.



12306361	LOOSE, 2.5" RECEIVER DRAWBAR WITH 3" DROP	
12306379	LOOSE, 2.5" RECEIVER DRAWBAR WITH 5" DROP	
12306387	LOOSE, 2.5" RECEIVER DRAWBAR WITH 7.75" DROP	
12306395	LOOSE, 2.5" RECEIVER DRAWBAR WITH PINTLE MOUNT PLATE	
12306403	LOOSE, PINTLE HOOK COMBINATION WITH 2" BALL	
12305678	LOOSE, ADAPTER FOR 2" DRAWBAR USE WITH 2.5" RECEIVER	
Option No.	APPLICATION	PRICE