

SERVICE BODY OPTION

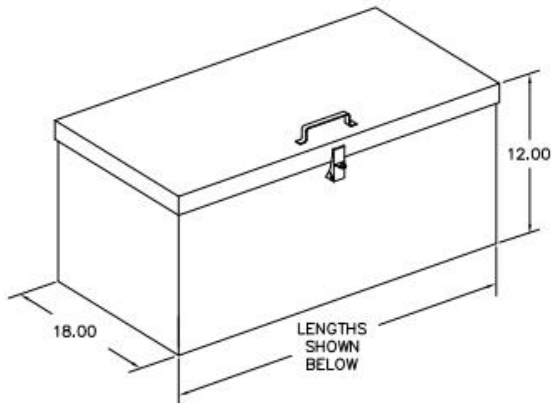
TOOL BOX - TOP OPENING

TOP OPENING TOOL BOXES PROVIDE EXTRA STORAGE ON TOP OF SIDE COMPARTMENTS OR IN THE CARGO AREA (COULD ALSO BE USED ON PLATFORM BODIES OR IN PICKUP APPLICATIONS). TOP OPENING TOOL BOXES ARE CONSTRUCTED OF 14 GA. GALVANNEAL, AND ALL SEAMS ARE WELDED FULL LENGTH AND GROUND SMOOTH. FULL LENGTH CONTINUOUS HINGES ARE CONSTRUCTED OF 16 GA. STAINLESS STEEL LEAVES WITH 3/16" DIAMETER STAINLESS STEEL PIN.

THE LID INCLUDES A GRAB HANDLE, DRAW LATCH, LID CHAINS, HAT SECTIONS REINFORCEMENT AND 1/4" X 1.0" RUBBER SEAL (NOTE: 72" OR LONGER BOX LID HAS TWO DRAW LATCHES, AND 107" HAS TWO GRAB HANDLES).

AVAILABLE LOOSE ONLY IN SPRAY PAINTED GRAY PRIME. WEIGHTS ARE SHOWN BELOW. AVAILABLE IN 12" HEIGHT, 18" WIDTH AND LENGTHS INDICATED BELOW. TOP OPENING TOOL BOXES MAY BE MOUNTED AS DESCRIBED WITH THE FOLLOWING EXCEPTIONS:

- TOP OPENING TOOL BOXES MAY NOT BE MOUNTED ON THEIR SIDES.



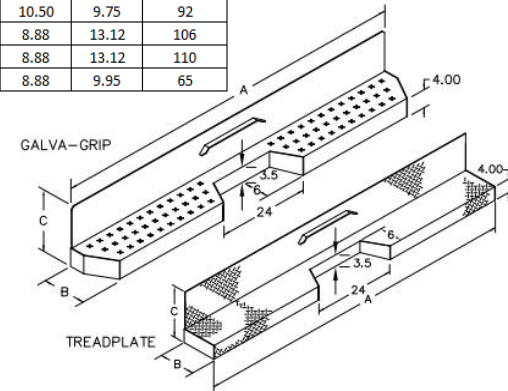
21501390	LOOSE, 30" LENGTH, WEIGHTS 61 LBS	
21501408	LOOSE, 36" LENGTH, WEIGHTS 70 LBS	
21501416	LOOSE, 48" LENGTH, WEIGHTS 88 LBS	
21501432	LOOSE, 72" LENGTH, WEIGHTS 124 LBS	
21501457	LOOSE, 107" LENGTH, WEIGHTS 179 LBS	
Option No.	APPLICATION	PRICE

RECESS BUMPER - REESE HITCH COMPATIBLE

RECESS BUMPER AVAILABLE AS A 12 GA. GALVANNEAL GALVA-GRIP BUMPER OR AN 1/8" TREADPLATE BUMPER. GALVANNEAL MATERIAL PROVIDES SUPERIOR CORROSION RESISTANCE AND ENHANCED PAINT ADHESION. "GRIP TREAD" EXPELS MUD AND PROVIDE BETTER SLIP RESISTANCE THAN TREADPLATE. BUMPERS OVER 80" HAVE A GUARD TO PROTECT THE "RID" LIGHTS. RECESS BUMPER DESIGNED TO HAVE CLEARANCE FOR MOST EXISTING FRAME MOUNTED REESE HITCH APPLICATIONS. WEIGHTS AND DIMENSIONS ARE SHOWN BELOW. AVAILABLE LOOSE ONLY IN PRIME PAINT FOR ALL BODIES WITH THE FOLLOWING EXCEPTIONS:

- NOT FOR 2007 AND LATER RAM 60" OR 84" CA WITH REAR FUEL TANK

OPTION NO.	A	B	C	WEIGHT
26057893	78	8.88	12.75	74
26058107	94	8.88	12.75	89
26051235	78	8.88	13.12	58
26263293	83	10.50	9.38	61
26056218	83	10.50	9.38	61
26051276	89	8.88	13.12	74
26051243	94	8.88	13.12	77
26051250	78	8.88	13.12	87
26263301	83	10.50	9.75	92
26056226	83	10.50	9.75	92
26051284	89	8.88	13.12	106
26051268	94	8.88	13.12	110
32067270	72	8.88	9.95	65



32067270	LOOSE, 72" GALVA-GRIP RECESS - FACTORY HITCH (COLORADO/CANYON)	
26057893	LOOSE, 78" GALVA-GRIP RECESS - REESE HITCH COMPATIBLE (2017 FORD)	
26058107	LOOSE, 94" GALVA-GRIP RECESS - REESE HITCH COMPATIBLE (2017 FORD)	
26051235	LOOSE, 78" GALVA-GRIP RECESS - REESE HITCH COMPATIBLE	
26263293	LOOSE, 83" GALVA-GRIP RECESS - REESE HITCH COMPATIBLE (KUV)	
26056218	LOOSE, 83" GALVA-GRIP RECESS - REESE HITCH COMPATIBLE (EXCEPT KUV)	
26051276	LOOSE, 89" GALVA-GRIP RECESS - REESE HITCH COMPATIBLE	
26051243	LOOSE, 94" GALVA-GRIP RECESS - REESE HITCH COMPATIBLE	
26051250	LOOSE, 78" TREADPLATE RECESS - REESE HITCH COMPATIBLE	
26263301	LOOSE, 83" TREADPLATE RECESS - REESE HITCH COMPATIBLE (KUV)	
26056226	LOOSE, 83" TREADPLATE RECESS - REESE HITCH COMPATIBLE (EXCEPT KUV)	
26051284	LOOSE, 89" TREADPLATE RECESS - REESE HITCH COMPATIBLE	
26051268	LOOSE, 94" TREADPLATE RECESS - REESE HITCH COMPATIBLE	
Option No.	APPLICATION	PRICE