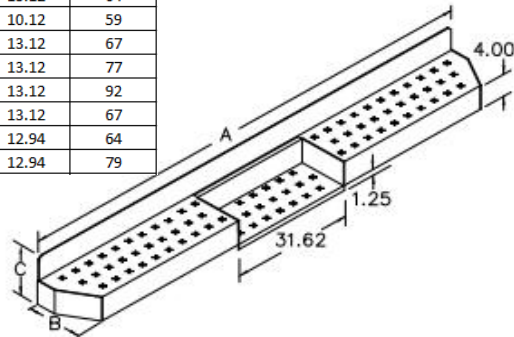


SERVICE BODY OPTION

GALVA - GRIP STEP BUMPERS

GALVA-GRIP STEP BUMPERS ARE AVAILABLE FOR KUV AND KC SERIES BODIES AND SERVICE BODIES ON 2007 AND LATER 60" AND 84" CA .12 GA. GALVANNEAL MATERIAL PROVIDES SUPERIOR CORROSION RESISTANCE AND ENHANCED PAINT ADHESION "GRIP THREAD" EXPELS MUD AND PROVIDES BETTER SLIP PROTECTION THAN TREADPLATE. KUV/KC/KSV STEP BUMPERS HAVE WELD STUDS ON THE BACK OF THE KICK PLATES THAT ALIGN WITH THE PRE-PUNCHED HOLES ON THE KUV/KC/KSV BODY. SERVICE BODY STEP BUMPERS HAVE PUNCHED HOLES IN THE KICK PLATE. STEP BUMPERS FOR 60" CA DODGE HAVE A 2" OFFSET IN THE KICK PLATE. WEIGHTS AND DIMENSIONS ARE SHOWN BELOW. AVAILABLE LOOSE ONLY IN PRIME PAINT.

OPTION NO.	A	B	C	WEIGHT
26052258	82.62	10.50	9.38	56
26052266	93.62	10.50	9.38	62
26053421	82.62	10.50	9.38	57
26052274	77.62	8.88	13.12	56
26052282	82.62	8.88	13.12	59
26052290	88.62	8.88	13.12	64
26052506	88.62	8.88	10.12	59
26052308	93.62	8.88	13.12	67
26052761	77.62	8.88	13.12	77
26052779	93.62	8.88	13.12	92
26052753	93.62	8.88	13.12	67
26057802	77.62	8.88	12.94	64
26058073	93.62	8.88	12.94	79

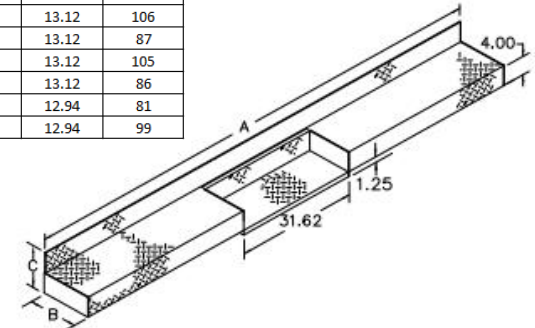


Option No.	APPLICATION	PRICE
26052258	LOOSE, 83" GALVA GRIP- STEP BUMPER FOR SRW KUV & DRW-FT/RP	
26217034	LOOSE, 94" G/G STEP BUMPER FOR GM CUTAWAY WITH REAR TANK	
26052266	LOOSE, 94" GALVA GRIP- STEP BUMPER FOR DRW KUV	
26053421	LOOSE, 83" GALVA GRIP- STEP BUMPER FOR SRW J-FT/J-RP	
26052274	LOOSE 78" SRW KC EXCEPT 2007 & LATER DODGE 60" CA	
26057802	LOOSE 78" GALVA-GRIP STEP BUMPER FOR 2017 FORD 56" CA	
26052282	LOOSE 83" GALVA-GRIP STEP BUMPER FOR DRW KC BODIES	
26052290	LOOSE 89" GALVA-GRIP STEP BUMPER FOR DRW KC BODIES	
26052506	LOOSE 89" G/G STEP BUMPER FOR GM-W SERIES KC BODIES	
26052308	LOOSE, 94" DRW KC EXCEPT 2007 & LATER DODGE 60" CA	
26058073	LOOSE, 94" GALVA-GRIP STEP BUMPER FOR 2017 FORD 56"CA	
26052761	LOOSE, 78" 2007 & LATER DODGE 60" CA SRW W/UB & KC ONLY	
26052779	LOOSE, 94" 2007 & LATER DODGE 60" CA DRW W/UB & KC ONLY	
26052753	LOOSE, 94" DRW UB EXCEPT 2007 & LATER DODGE 60" CA	

TREADPLATE STEP BUMPERS

TREADPLATE STEP BUMPERS ARE AVAILABLE FOR KUV AND KC SERIES BODIES AND SERVICE BODIES ON 2007 AND LATER 60" AND 84" CA . 1/8" TREADPLATE MATERIAL PROVIDES SLIP RESISTANCE. KUV/KC STEP BUMPERS HAVE WELD STUDS ON THE BACK OF THE KICK PLATES THAT ALIGN WITH THE PRE-PUNCHED HOLES ON THE KUV/KC BODY. SERVICE BODY STEP BUMPERS HAVE PUNCHED HOLES IN THE KICK PLATE. STEP BUMPERS FOR 60" CA DODGE HAVE A 2" OFFSET IN THE KICK PLATE. WEIGHTS AND DIMENSIONS ARE SHOWN BELOW. AVAILABLE LOOSE ONLY IN PRIME PAINT.

OPTION NO.	A	B	C	WEIGHT
26052464	83.00	10.50	9.38	100
26052472	94.00	10.50	9.38	106
26056150	83.00	10.50	9.38	100
26052365	77.62	8.88	13.12	85
26052373	82.62	8.88	13.12	90
26052381	88.62	8.88	13.12	97
26052522	88.62	8.88	10.12	95
26052399	93.62	8.88	13.12	102
26052902	77.62	8.88	13.12	87
26052894	93.62	8.88	13.12	106
26052886	77.62	8.88	13.12	87
26052878	93.62	8.88	13.12	105
26052860	93.62	8.88	13.12	86
26057950	77.62	8.88	12.94	81
26058131	93.62	8.88	12.94	99



Option No.	APPLICATION	PRICE
26052464	LOOSE 83", TREADPLATE STEP BUMPER FOR SRW KUV & DRW-FT/RP	
26052472	LOOSE 94", TREADPLATE STEP BUMPER FOR DRW KUV	
26056150	LOOSE 83", TREADPLATE STEP BUMPER FOR SRW J-FT/J-RP	
26052365	LOOSE, 78"SRW KC EXCEPT 2007 & LATER DODGE 60" CA	
26057950	LOOSE, 78" TREADPLATE STEP BUMPER FOR 2017 FORD 56" CA	
26052373	LOOSE 83", TREADPLATE STEP BUMPER FOR DRW KC BODIES	
26052381	LOOSE 89", TREADPLATE STEP BUMPER FOR DRW KC BODIES	
26052522	LOOSE 89", TREADPLATE STEP BUMPER FOR GM W-SERIES KC BODIES	
26052399	LOOSE, 94" DRW KC EXCEPT 2007 & LATER DODGE 60" CA	
26058131	LOOSE, 94" TREADPLATE STEP BUMPER FOR 2017 FORD 56" CA	
26052902	LOOSE, 78" 2007 & LATER DODGE 60" CA SRW W/ KC ONLY	
26052894	LOOSE, 94" 2007 & LATER DODGE 60" CA DRW W/ KC ONLY	
26052886	LOOSE, 78" 2007 & LATER DODGE 60" CA SRW W/ UB ONLY	
26052878	LOOSE, 94" 2007 & LATER DODGE 60" CA DRW W/ UB ONLY	
26052860	LOOSE, 94" 2007 & LATER DODGE 84" CA DRW W/ UB ONLY	