

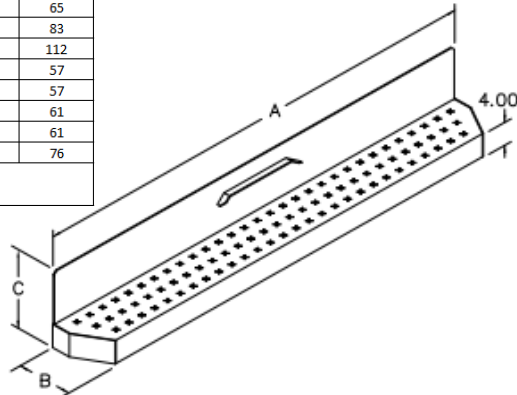
SERVICE BODY OPTION

GALVA - GRIP BUMPERS

HEAVY DUTY GALVANNEAL BUMPER WITH "GRIP THREAD" INTO THE STEP SURFACE. GALVANNEAL MATERIAL PROVIDES SUPERIOR CORROSION RESISTANCE AND ENHANCED PAINT ADHESION. "GAP THREAD" EXPELS MUD AND PROVIDES BETTER SLIP RESISTANCE THAN A TREADPLATE. DESIGNED TO BE MOUNTED IN CONJUNCTION WITH A "QUICK-MOUNT" BODY MOUNTING BRACKETS (EXCEPT KUV SERIES AND LINE BODY APPLICATIONS) AND INTENDED FOR APPLICATIONS WHERE TRAILER TOWING IS NOT REQUIRED. BUMPERS OVER 80" IN WIDTH HAVE A GUARD TO PROTECT THE "RID" LIGHTS (EXCEPT KUV BUMPERS). WEIGHTS AND DIMENSIONS ARE SHOWN BELOW. AVAILABLE LOOSE ONLY IN PRIME PAINT FOR ALL BODIES WITH FOLLOWING EXCEPTIONS:
- CRANE BODIES

OPTION NO.	A	B	C	WEIGHT
26052076	72	8.88	9.3	42
26050013	78	8.88	13.12	52
26052662	78	8.88*	13.12	67
26050021	89	8.88	13.12	61
20055067	89	8.88	10.12	58
26050039	94	8.88	13.12	65
26052720	94	8.88*	13.12	83
20055083	94	8.88	24.12	112
26056127	83	10.50	9.88	57
26051573	83	10.50	9.88	57
26051524	94	10.50	9.88	61
26058032	78	8.88	12.93	61
26058172	94	8.88	12.93	76

* KICK PLATE HAS 2" OFFSET.
STEP IS 6.88" WIDE



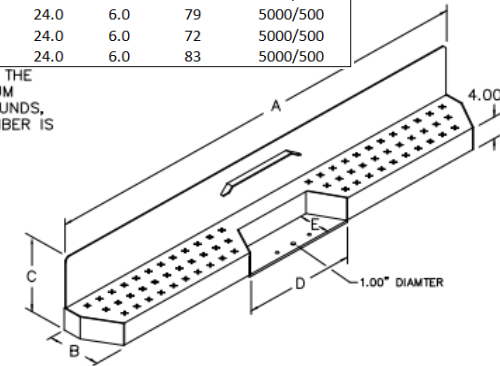
26052076	LOOSE, COMPACT BODIES EC676	
26050013	LOOSE, ALL 78" WIDE BODY EXCEPT COMPACT BODIES	
26058032	LOOSE, ALL 78" WIDE 2017 FORD SUPER DUTY 56" CA	
26052662	LOOSE, 78" WIDE BODY ON 2007 & LATER RAM 60" CA SRW	
26050021	LOOSE, ALL 89" WIDE BODY EXCEPT CRANE BODIES	
26056127	LOOSE, 83" WIDE BODIES (EXCEPT KUV)	
20055067	LOOSE, 89" WIDE 6131DE, 6155DE (IMPORTED CHASSIS) BODIES	
26050039	LOOSE, ALL 94" WIDE BODY EXCEPT CRANE AND LINE BODIES	
26058172	LOOSE, ALL 94" WIDE 2017 FORD SUPER DUTY 56" CA	
26052720	LOOSE, 94" WIDE BODY ON 2007 & LATER RAM 60" CA DRW	
20055083	LOOSE, 94" WIDE LINE BODES	
26051573	LOOSE, 83" WIDE KUV (SRW) & DRW-FT/RP SERIES BODIES	
26051524	LOOSE, 94" WIDE KUV (DRW) SERIES BODIES ONLY	
Option No.	APPLICATION	PRICE

GALVA - GRIP BUMPERS WITH BALL HITCH RECESS

HEAVY DUTY 12 GA. GALVANNEAL BUMPER WITH "GRIP THREAD" PUNCHED INTO STEP SURFACE. GALVANNEAL MATERIAL PROVIDES SUPERIOR CORROSION RESISTANCE AND ENHANCED PAINT ADHESION. "GRIP THREAD" EXPELS MUD AND PROVIDES BETTER SLIP RESISTANCE THAN TREADPLATE. DESIGNED TO BE MOUNTED IN CONJUNCTION WITH A "QUICK-MOUNT" BODY MOUNTING BRACKETS AND INTENDED FOR APPLICATION WHERE BALL HITCH TRAILER TOWING IS REQUIRED. BUMPER RATING IS STAMPED ADJACENT TO THE BALL HITCH, AND THE APPLICABLE RATINGS ARE SHOWN BELOW, ALONG WITH THE WIEGHTS AND DIMENSIONS. BUMPERS OVER 80" WIDE HAVE A GUARD TO PROTECT THE "RID" LIGHTS. AVAILABLE LOOSE ONLY IN PRIME PAINT FOR ALL BODIES WITH FOLLOWING EXCEPTIONS:
- CRANE BODIES, LINE BODIES AND KUV BODIES
- CAN NOT BE USED ON 2007 & LATER RAM 60" CA

OPTION NO.	A	B	C	D	E	WEIGHT	Rating *
26051763	72	8.88	9.3	24.0	6.0	58	4000/400
26050070	78	8.88	13.12	24.0	6.0	72	5000/500
26051599	83	10.50	9.38	24.0	6.0	77	5000/500
26056119	83	10.50	9.38	24.0	6.0	77	5000/500
26050088	89	8.88	13.12	24.0	6.0	79	5000/500
20055133	89	8.88	10.12	24.0	6.0	72	5000/500
26050096	94	8.88	13.12	24.0	6.0	83	5000/500

* THE FIRST NUMBER IN THE RATING IS THE MAXIMUM TRAILER WEIGHT IN POUNDS, AND THE SECOND NUMBER IS THE MAXIMUM TONGUE WEIGHT IN POUNDS.



26051763	LOOSE, COMPACT BODY EC676	
26050070	LOOSE, ALL 78" WIDE BODIES	
26056119	LOOSE, 83" WIDE BODIES (EXCEPT KUV)	
26051599	LOOSE, ALL 83" WIDE KUV BODIES	
26050088	LOOSE, ALL 89" WIDE BODIES EXCEPT CRANE BODIES	
20055133	LOOSE, ALL 89" WIDE 6131DE, 6155DE (IMPORTED CHASSIS) BODIES	
26050096	LOOSE, ALL 94" BODIES EXCEPT CRANE, LINE AND KUV BODIES	
Option No.	APPLICATION	PRICE