

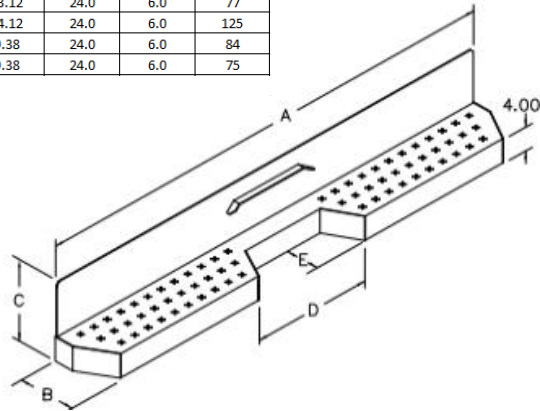
SERVICE BODY OPTION

GALVA-GRIP BUMPER WITH PINTLE HOOK RECESS

HEAVY DUTY GALVANNEAL BUMPER WITH "GRIP THREAD" INTO THE STEP SURFACE. GALVANNEAL MATERIAL PROVIDES SUPERIOR CORROSION RESISTANCE AND ENHANCED PAINT ADHESION. "GAP THREAD" EXPELS MUD AND PROVIDES BETTER SLIP RESISTANCE THAN A TREADPLATE. DESIGNED TO BE MOUNTED IN CONJUNCTION WITH A "QUICK-MOUNT" BODY MOUNTING BRACKETS (EXCEPT KUV SERIES AND LINE BODY APPLICATIONS) AND INTENDED FOR APPLICATIONS WHERE PINTLE HOOK TRAILER TOWING IS REQUIRED. BUMPERS OVER 80" IN WIDTH HAVE A GUARD TO PROTECT THE "RID" LIGHTS (EXCEPT KUV BUMPERS). WEIGHTS AND DIMENSIONS ARE SHOWN BELOW. AVAILABLE LOOSE ONLY IN PRIME PAINT FOR ALL BODIES WITH FOLLOWING EXCEPTIONS:

- CRANE BODIES
- NOT FOR 2007 & LATER DODGE 60" CA OR 84" CA WITH REAR FUEL TANK

OPTION NO.	A	B	C	D	E	WEIGHT
26050138	78	8.88	13.12	24.0	6.0	65
26056135	83	10.50	9.38	24.0	6.0	75
26050146	89	8.88	13.12	24.0	6.0	74
20055182	89	8.88	10.12	24.0	6.0	71
26050153	94	8.88	13.12	24.0	6.0	77
20055208	94	8.88	24.12	24.0	6.0	125
26051540	94	10.50	9.38	24.0	6.0	84
26051581	83	10.50	9.38	24.0	6.0	75



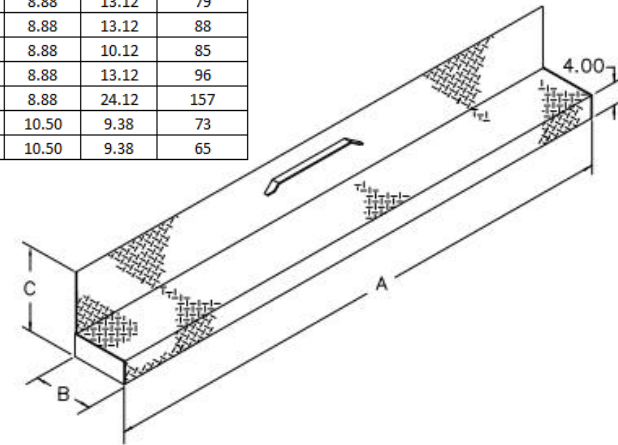
26050138	LOOSE, ALL 78" WIDE BODIES	
26056135	LOOSE, 83" WIDE BODIES (EXCEPT KUV)	
26050146	LOOSE, ALL 89" WIDE BODIES EXCEPT CRANE BODIES	
20055182	LOOSE, ALL 89" WIDE 6131DE, 6155DE (IMPORTED CHASSIS) BODIES	
26050153	LOOSE, ALL 94" BODIES EXCEPT CRANE, LINE AND KUV BODIES	
20055208	LOOSE, LINE BODIES ONLY	
26051581	LOOSE, 83" WIDE KUV (SRW) & DRW-FT/RP SERIES BODIES	
26057372	LOOSE, 83" WIDE KUVJ-FT, KUVJ-RP BODIES ONLY	
26051540	LOOSE, 94" WIDE KUV (DRW) SERIES BODIES ONLY	
Option No.	APPLICATION	PRICE

TREADPLATE BUMPER

HEAVY DUTY 1/8" THICK TREADPLATE BUMPER TO BE MOUNTED IN CONJUNCTION WITH A "QUICK-MOUNT" BODY MOUNTING BRACKETS (EXCEPT KUV SERIES AND LINE BODY APPLICATIONS) AND INTENDED FOR APPLICATIONS WHERE TRAILER TOWING IS NOT REQUIRED. BUMPERS OVER 80" IN WIDTH HAVE A GUARD TO PROTECT THE "RID" LIGHTS (EXCEPT KUV BUMPERS). WEIGHTS AND DIMENSIONS ARE SHOWN BELOW. AVAILABLE LOOSE ONLY IN PRIME PAINT FOR ALL BODIES WITH FOLLOWING EXCEPTIONS:

- CRANE BODIES
- NOT FOR 2007 & LATER DODGE 60" CA OR 84" CA WITH REAR FUEL TANK

OPTION NO.	A	B	C	WEIGHT
20061680	78	8.88	12.91	78
26056234	83	10.50	9.38	65
26050195	78	8.88	13.12	79
26050203	89	8.88	13.12	88
20054532	89	8.88	10.12	85
26050211	94	8.88	13.12	96
25122532	94	8.88	24.12	157
26051607	94	10.50	9.38	73
26051656	83	10.50	9.38	65



20061680	LOOSE, 78" WIDE BODIES FOR 2017 FORD 56" CA	
26050195	LOOSE, ALL 78" WIDE BODIES EXCEPT COMPACT BODIES	
26056234	LOOSE, 83" WIDE BODIES (EXCEPT KUV)	
26050203	LOOSE, ALL 89" WIDE BODIES EXCEPT CRANE BODIES	
20054532	LOOSE, ALL 89" WIDE 6131DE, 6155DE (IMPORTED CHASSIS) BODIES	
26050211	LOOSE, ALL 94" BODIES EXCEPT CRANE AND LINE BODIES	
25122532	LOOSE, 94" WIDE LINE BODIES	
26051656	LOOSE, 83" WIDE KUV (SRW) & DRW-FT/RP SERIES BODIES	
26051607	LOOSE, 94" WIDE KUV (DRW) SERIES BODIES ONLY	
Option No.	APPLICATION	PRICE