

SERVICE BODY OPTION

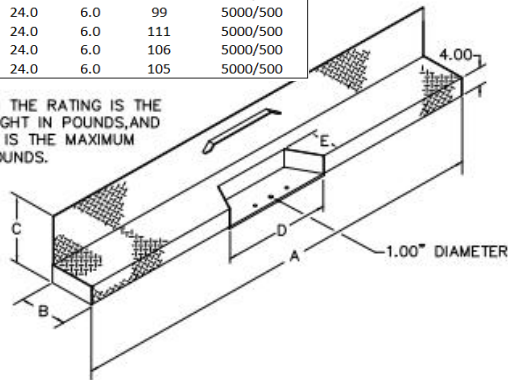
TREADPLATE BUMPER WITH BALL HITCH RECESS

HEAVY DUTY TREADPLATE BUMPER TO BE MOUNTED IN CONJUNCTION WITH "QUICK-MOUNT" BODY MOUNTING BRACKETS (EXCEPT KUV SERIES AND LINE BODY APPLICATIONS) AND INTENDED FOR APPLICATIONS WHERE BALL HITCH TRAILER TOWING IS REQUIRED. BUMPER RATING IS STAMPED ADJACENT TO BALL HITCH AND THE APPLICABLE RATINGS ARE SHOWN BELOW WITH WEIGHTS AND DIMENSIONS. BUMPERS OVER 80" IN WIDTH HAVE A GUARD TO PROTECT THE "RID" LIGHTS (EXCEPT KUV BUMPERS). AVAILABLE LOOSE ONLY IN PRIME PAINT FOR ALL BODIES WITH FOLLOWING EXCEPTIONS:

- CRANE BODIES
- NOT FOR 2007 & LATER RAM 60" CA OR 84" CA WITH REAR FUEL TANK

OPTION NO.	A	B	C	D	E	WEIGHT	Rating *
26052084	72	8.88	9.3	24.0	6.0	77	4000/400
26050252	78	8.88	13.12	24.0	6.0	94	5000/500
26056242	83	10.50	9.75	24.0	6.0	105	5000/500
26050260	89	8.88	13.12	24.0	6.0	106	5000/500
20054599	89	8.88	10.12	24.0	6.0	99	5000/500
26050278	94	8.88	13.12	24.0	6.0	111	5000/500
26051623	94	10.50	9.88	24.0	6.0	106	5000/500
26051672	83	10.50	9.75	24.0	6.0	105	5000/500

* THE FIRST NUMBER IN THE RATING IS THE MAXIMUM TRAILER WEIGHT IN POUNDS, AND THE SECOND NUMBER IS THE MAXIMUM TONGUE WEIGHT IN POUNDS.



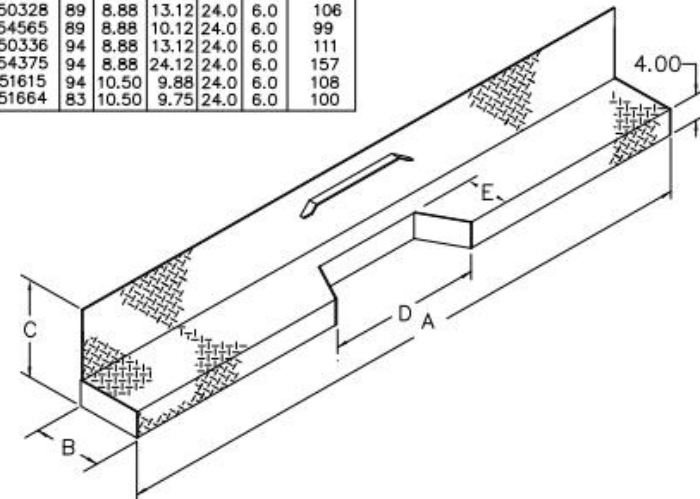
26052084	LOOSE, COMPACT BODY EC676	
26050252	LOOSE, ALL 78" WIDE BODIES	
26056242	LOOSE, 83" WIDE BODIES (EXCEPT KUV)	
26050260	LOOSE, ALL 89" WIDE BODIES EXCEPT CRANE BODIES	
26050278	LOOSE, ALL 94" BODIES EXCEPT CRANE, LINE AND KUV BODIES	
26051672	LOOSE, 83" WIDE KUV (SRW) & DRW-FT/RP SERIES BODIES	
26051623	LOOSE, 94" WIDE KUV (DRW) SERIES BODIES ONLY	
Option No.	APPLICATION	PRICE

TREADPLATE BUMPER WITH PINTLE HOOK RECESS

HEAVY DUTY 1/8" THICK TREADPLATE BUMPER TO BE MOUNTED IN CONJUNCTION WITH "QUICK-MOUNT" BODY MOUNTING BRACKETS (EXCEPT KUV SERIES AND LINE BODY APPLICATIONS) AND INTENDED FOR APPLICATIONS WHERE PINTLE HOOK TRAILER TOWING IS REQUIRED. BUMPERS OVER 80" IN WIDTH HAVE A GUARD TO PROTECT THE "RID" LIGHTS (EXCEPT KUV BUMPERS). WEIGHTS AND DIMENSIONS ARE SHOWN BELOW. AVAILABLE LOOSE ONLY IN PRIME PAINT FOR ALL BODIES WITH FOLLOWING EXCEPTIONS:

- CRANE BODIES
- NOT FOR 2007 & LATER RAM 60" CA OR 84" CA WITH REAR FUEL TANK

OPTION NO.	A	B	C	D	E	WEIGHT
26050310	78	8.88	13.12	24.0	6.0	94
26050328	89	8.88	13.12	24.0	6.0	106
20054565	89	8.88	10.12	24.0	6.0	99
26050336	94	8.88	13.12	24.0	6.0	111
20054375	94	8.88	24.12	24.0	6.0	157
26051615	94	10.50	9.88	24.0	6.0	108
26051664	83	10.50	9.75	24.0	6.0	100



26050310	LOOSE, ALL 78" WIDE BODIES	
26050328	LOOSE, ALL 89" WIDE BODIES EXCEPT CRANE BODIES	
26050336	LOOSE, ALL 94" BODIES EXCEPT CRANE, LINE AND KUV BODIES	
20054375	LOOSE, LINE BODIES ONLY	
26051664	LOOSE, 83" WIDE KUV (SRW) & DRW-FT/RP SERIES BODIES	
26051615	LOOSE, 94" WIDE KUV (DRW) SERIES BODIES ONLY	
Option No.	APPLICATION	PRICE