

SERVICE BODY OPTION

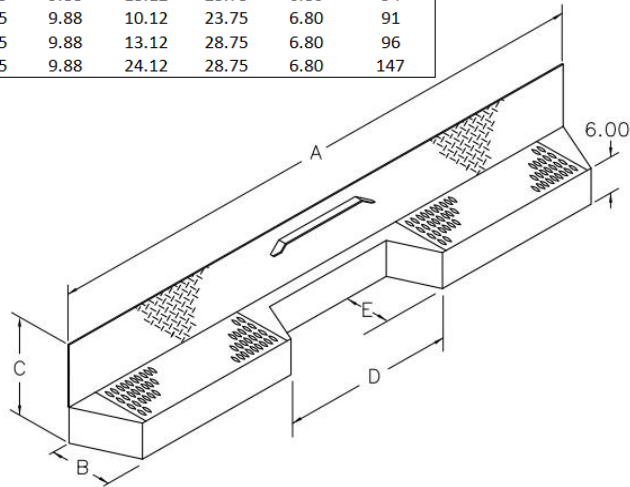
GRIP STRUT BUMPER WITH PINTLE HOOK RECESS

HEAVY DUTY GRIP STRUT BUMPER DESIGNED TO BE MOUNTED IN CONJUNCTION WITH "QUICK-MOUNT" BODY MOUNTING BRACKETS (EXCEPT KUV SERIES AND LINE BODY APPLICATIONS) AND INTENDED FOR APPLICATIONS WHERE PINTLE HOOK TRAILER TOWING IS REQUIRED. STEP SURFACE IS GRIP STRUT SERRATED SAFETY GRATING TO PROVIDE A NON-SLIP SURFACE. THE KICKPLATE IS 1/8" TRADPLATE.

BUMPERS OVER 80" IN WIDTH HAVE A GUARD TO PROTECT THE "RID" LIGHTS (EXCEPT KUV BUMPERS). WEIGHTS AND DIMENSIONS ARE SHOWN BELOW. AVAILABLE LOOSE ONLY IN PRIME PAINT FOR ALL BODIES WITH FOLLOWING EXCEPTIONS:

- CRANE BODIES
- KUV SERIES BODIES
- NOT FOR 2007 & LATER RAM 60" CA OR 84" CA WITH REAR FUEL TANK

OPTION NO.	A	B	C	D	E	WEIGHT
26050377	77.75	9.88	13.12	23.75	6.80	89
26263285	82.75	9.88	9.45	23.75	6.80	94
26056200	82.75	9.88	9.45	23.75	6.80	94
26050385	88.75	9.88	13.12	23.75	6.80	94
20054623	88.75	9.88	10.12	23.75	6.80	91
26050393	93.75	9.88	13.12	28.75	6.80	96
20054201	93.75	9.88	24.12	28.75	6.80	147



26050377	LOOSE, ALL 78" WIDE BODIES	
26263285	LOOSE, ALL 83" WIDE BODIES (EXCEPT KUV)	
26056200	LOOSE, 83" WIDE KUV BODIES	
26050385	LOOSE, ALL 89" WIDE BODIES EXCEPT CRANE BODIES	
26050393	LOOSE, ALL 94" BODIES EXCEPT CRANE, LINE AND KUV BODIES	
20054201	LOOSE, LINE BODIES ONLY	
Option No.	APPLICATION	PRICE

OUTRIGGER RECEIVER BUMPER

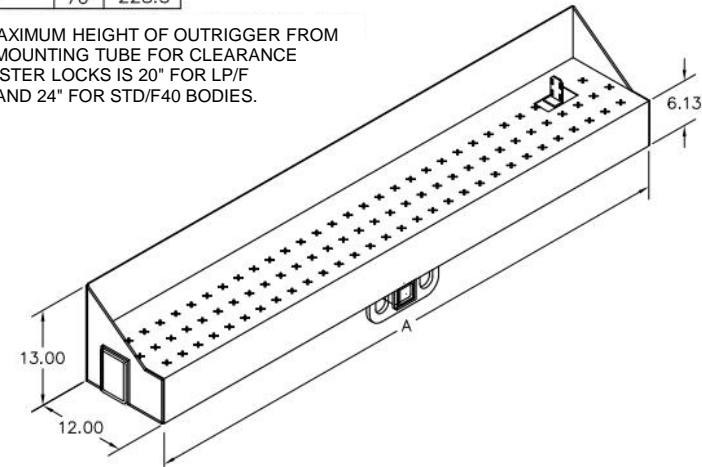
HEAVY DUTY GALVA-GRIP BUMPER WITH INTEGRAL OUTRIGGER TUBE (RATED FOR CRANES UP TO 30,000 FT-LBS CAPACITY) FOR SERVICE BODIES WITH OPTIONAL CRANE REINFORCEMENT KITS (NOT INCLUDED) AND 30 SERIES CRANE BODIES. THE BUMPER AND KICK-PLATE ARE 12 GA. GALVANNEAL WITH "GRIP TREAD" PUNCHED INTO THE STEP SURFACE. BUMPER HAS A 4" X 6" X 3/8" WALL RECEIVER TUBE TO ACCEPT STELLAR OUTRIGGERS (NOT INCLUDED) AND HAS A 2" RECEIVER HITCH TUBE. BUMPER TRAILER RATINGS ARE SHOWN BELOW ALONG WITH THE WEIGHTS AND DIMENSIONS. AVAILABLE INSTALLED ONLY FOR SERVICE BODIES WITH THE FOLLOWING EXCEPTIONS:

- COMPACT SERIES BODIES OR ANY SINGLE REAR WHEEL BODY

BODY WIDTH	A	WEIGHT
89"	71"	215.2
94"	76"	228.3

RECEIVER HITCH IS RATED FOR 12,000 POUND TRAILER WEIGHT AND 1,200 POUND TONGUE WEIGHT.

NOTE: MAXIMUM HEIGHT OF OUTRIGGER FROM TOP OF MOUNTING TUBE FOR CLEARANCE WITH MASTER LOCKS IS 20" FOR LP/F BODIES AND 24" FOR STD/F40 BODIES.



77007250	INSTALLED, BUMP FOR SERVICE BODY W/CRANE REINF KIT - ALL EXCEPT DODGE	
77007797	INSTALLED, BUMP FOR SERVICE BODY W/CRANE REINF KIT - 2007 DODGE & LATER	
77007987	INSTALLED, BUMP FOR BODIES W/TORSION FLOOR AND CRK - ALL EXCEPT DODGE	
77007995	INSTALLED, BUMP FOR BODIES W/TORSION FLOOR AND CRK - 2007 DODGE & LATER	
77009009	INSTALLED, BUMP FOR ALL 30 SERIES CRANE BODIES	
Option No.	APPLICATION	PRICE