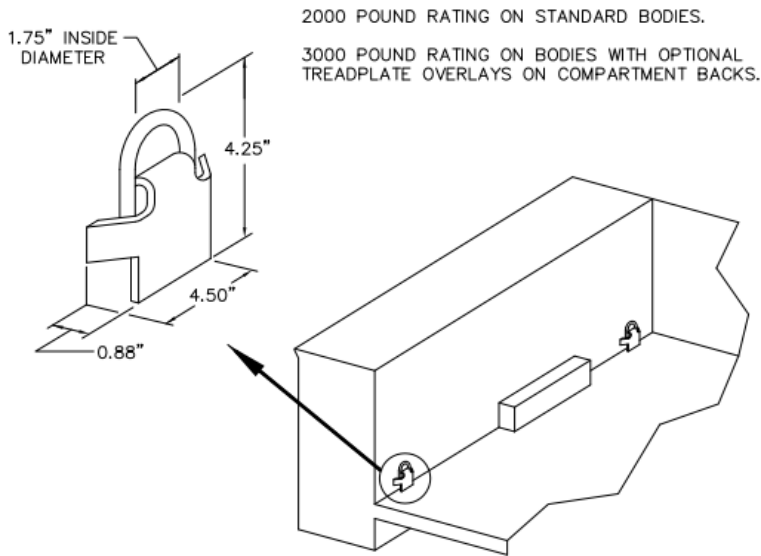


SERVICE BODY OPTION

CARGO TIE - DOWN

HEAVY-DUTY (SEE RATING BELOW) ZINC PLATED TIE-DOWNS. OPTION NUMBER 77001485 INCLUDES 4 TIE-DOWNS INSTALLED 6" FROM THE ENDS (2 EACH SIDE) RECOMMENDED FOR BODIES 96" OR LESS IN LENGTH. OPTION NUMBER 77001360 IS RECOMMENDED FOR 108" BODIES AND LONGER AND INCLUDES TIE-DOWNS IN THE FOUR CORNERS, PLUS TWO ADDITIONAL TIE-DOWNS NEAR THE CENTER OF THE BODY. OPTION NUMBERS 20211330 & 20211360 INCLUDE LOOSE TIE-DOWNS AND INSTALLATION INSTRUCTIONS PACKAGED IN A BOX. THE WEIGHT OF EACH CARGO TIE-DOWN IS 1.1 LBS. AVAILABLE INSTALLED ON ALL BODIES WITH FOLLOWING EXCEPTIONS:

- CRANE BODIES (D-RING TIE-DOWNS ARE STANDARD ON THESE MODELS)



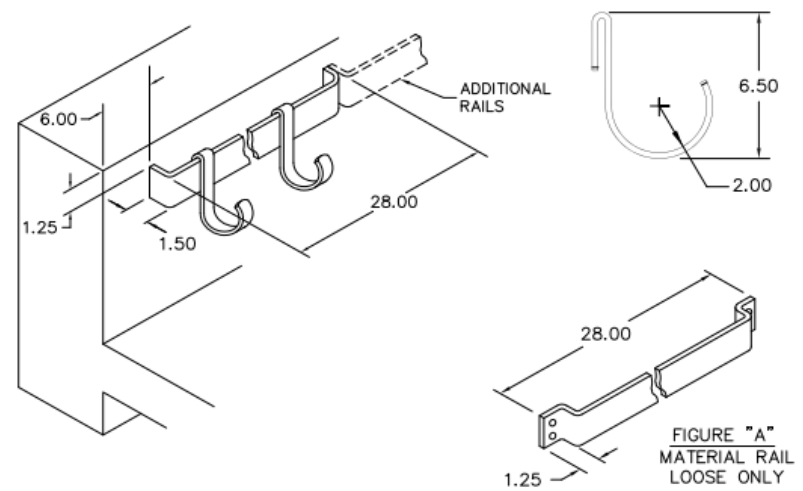
77001485	INSTALLED, SET OF FOUR	
77001360	INSTALLED, SET OF SIX	
20211330	LOOSE SET OF FOUR	
20211360	LOOSE SET OF SIX	
Option No.	APPLICATION	PRICE

MATERIAL RAIL WITH SLIDING HOOKS - CARGO

MATERIAL RAIL (200 LBS RATING) WITH THREE EASILY REMOVABLE SLIDING HOOKS (100 LBS. RATING ON EACH HOOK) TO PROVIDE ORGANIZED STORAGE IN THE CARGO AREA. RAILS ARE MADE OF 1/4" X 2" STEEL BAR, AND THE HOOKS ARE MADE OF 1/4" X 1" STEEL BAR. MATERIAL RAIL AND HOOK BARS DIMENSIONS ARE SHOWN BELOW ALONG WITH THE MOUNTING LOCATIONS. IF MORE THAN ONE MATERIAL RAIL IS ORDERED, ADDITIONAL RAILS WILL BE MOUNTED ADJACENT TO THE FIRST.

LOOSE MATERIAL RAILS ARE PROVIDED IN PRIME PAINT AND WILL BE FABRICATED TO FACILITATE BOLTED ATTACHMENT (SEE FIGURE "A" BELOW).

- LOOSE OR INSTALLED ON ALL BODIES WITH FOLLOWING EXCEPTION:
- NOT AVAILABLE ON WESTERN STYLE STORAGE BODIES



77002681	INSTALLED, STREET SIDE CARGO AREA, 1 RAIL AND 3 HOOKS	
77002699	INSTALLED, STREET CURB CARGO AREA, 1 RAIL AND 3 HOOKS	
20214490	LOOSE, 1 MATERIAL RAIL AND 3 HOOKS	
20214102	LOOSE, BOX OF 4 HOOKS	
Option No.	APPLICATION	PRICE