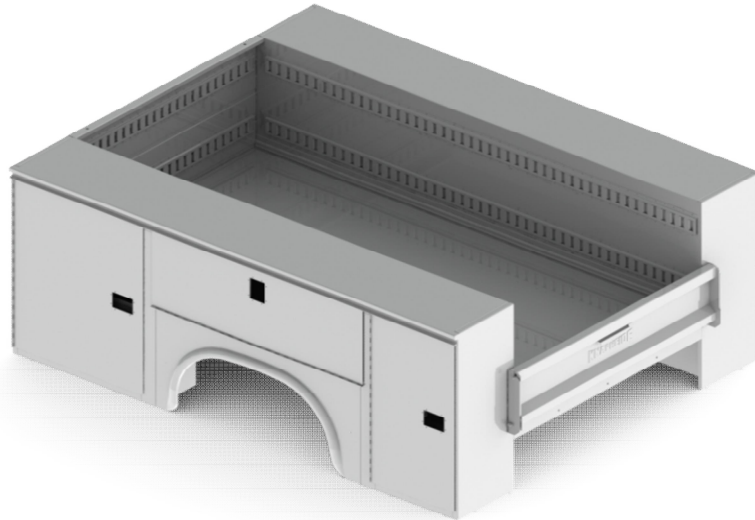


SERVICE BODY OPTION

E-TRACK FOR KUV / KUV_{cc} & SERVICE BODY

E-TRACK AVAILABLE FOR CARGO WALLS IN HIGH AND LOW POSITION AND FOR BULKHEAD IN HIGH AND LOW POSITIONS. CARGO WALL OPTION INCLUDES TRACK FOR BOTH SIDES OF BODY ONLY. OPTIONS CAN BE ORDERED IN ANY COMBINATION. E-TRACK IN THE LOW POSITION IS 3.00 INCHES OFF OF THE FLOOR AND E-TRACK IN THE HIGH POSITION IS LOCATED 3.00 INCHES OFF OF THE COMPARTMENT TOP. ADD ON ACCESSORIES ARE AVAILABLE TO ALLOW MOUNTING OF ADDITIONAL EQUIPMENT TO THE E-TRACK. OPTIONS ARE AVAILABLE FOR ALL SERVICE BODY, KUV AND KUV_{cc} BODIES. ALL OPTIONS ARE FACTORY INSTALLED. ACCESSORIES ARE NOT INCLUDED WITH THESE OPTIONS AND MUST BE ORDERED SEPARATELY. E-TRACK IS RATED TO 400 LBS PER LOADING POINT.

NOTE: NOT AVAILABLE ON KUV BULKHEAD



77009983	E-TRACK SIDE PACKS LOW LOCATION 13' & 14' BODIES	
77009975	E-TRACK SIDE PACKS HIGH LOCATION 13' & 14' BODIES	
77008977	E-TRACK SIDE PACKS LOW LOCATION 11' BODIES	
77009991	E-TRACK SIDE PACKS HIGH LOCATION 11' BODIES	
77009892	E-TRACK SIDE PACKS LOW LOCATION 8' & 9' BODIES	
77009884	E-TRACK SIDE PACKS HIGH LOCATION 8' & 9' BODIES	
77009918	E-TRACK BULKHEAD LOW LOCATION	
77009900	E-TRACK BULKHEAD HIGH LOCATION	
Option No.	APPLICATION	PRICE

ACCESSORIES FOR CARGO AREA E-TRACK



26264432
LADDER/TOOL HOLDER
60# RATING
MAX HOOK WIDTH 6.75"



26264440
STATIONARY/SWIVEL HOOK
100# RATING
MAX HOOK WIDTH 4.00"



26264473
RING HOLDER
30# RATING
RING INSIDE DIA. 5.25"



26268011
KIT, TAILBOARD CHANNEL
2-CHANNELS PER KIT



26268029
KIT, SPARE TIRE
RETAINER
HARDWARE INCLUDED
IN KIT



26268037
KIT, SINGLE BOTTLE RETAINER
WILL HOLD 12.00" DIA BOTTLE
HARDWARE INCLUDED IN KIT
**DO NOT USE IN ENCLOSED
BODY**



26268045
KIT, DOUBLE BOTTLE RETAINER
WILL HOLD 6 TO 9.25" DIA BOTTLES
HARDWARE INCLUDED IN KIT
DO NOT USE IN ENCLOSED BODY

26268045	KIT, DOUBLE BOTTLE RETAINER	
26268037	KIT, SINGLE BOTTLE RETAINER	
26268029	KIT, SPARE TIRE RETAINER	
26268011	KIT, TAILBOARD CHANNEL	
26264473	RING HOLDER	
26264440	STATIONARY/SWIVEL HOOK	
26264432	LADDER/TOOL HOLDER	
Option No.	APPLICATION	PRICE