

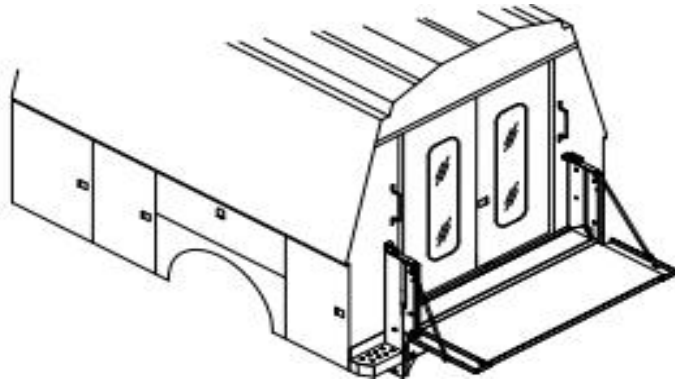
## SERVICE BODY OPTION

### KUV & KC LIFT GATE WITH FIXED CONTROLS

LIFT GATES MANUFACTURED BY TOMMY GATE ARE AVAILABLE FOR SELECTED KUV & KC SERIES BODIES. LIFT CAPACITY IS 1000 POUNDS AND MAXIMUM VERTICAL TRAVEL IS 40 INCHES. LIFT GATES ARE AVAILABLE WITH EITHER STEEL TREADPLATE OR EXTRUDED ALUMINUM PLATFORM. LED LIGHTS ARE INCLUDED WITH LIFT GATE AND ARE USED IN CONJUNCTION WITH THE BODY LIGHTS. A GALVA-GRIP STEP BUMPER AND A PAIR OF GRAB HANDLES ARE INCLUDED TO ALLOW EASY ACCESS TO CARGO AREA. FIXED CONTROLS ARE MOUNTED ON CURB SIDE POST. REFER TO APPLICATION TABLE FOR DIMENSIONS AND WEIGHTS. AVAILABLE LOOSE ONLY IN BLACK FINISH PAINT FOR ALL KUV & KC BODIES WITH THE FOLLOWING EXCEPTIONS:

- NO KUV SRW CHASSIS OR ANY KC BODY ON SPRINTER CHASSIS
- NOT AVAILABLE FOR USE ON ANY CHASSIS WHICH IS RESTRICTED ON THE CANOPY ROOF APPLICATION CHART SHOWN ON PAGE IX OF THE SERVICE BODY PRICE SECTION
- NOT AVAILABLE FOR USE ON ANY FORD 56" OR 60" CA SRW CHASSIS WITH 10,000 POUNDS OR LESS GVWR

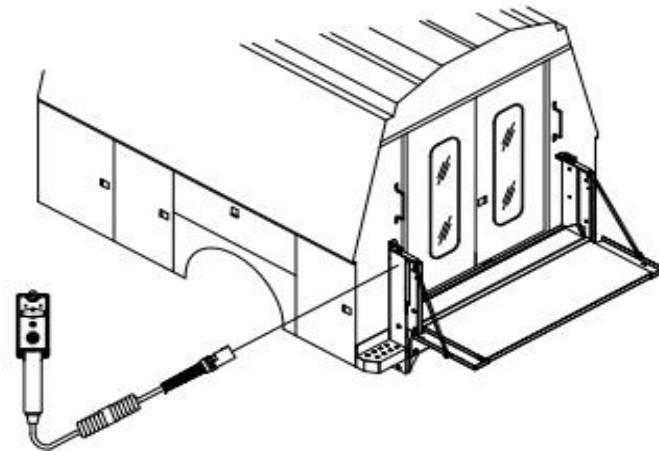
LIFT GATE BODY APPLICATION	PLATFORM TYPE	INSIDE WIDTH	OUTSIDE WIDTH	PLATFORM LOAD AREA	WEIGHT (LBS)
ALL KC 1478 SERIES BODIES	TREADPLATE	52"	55"	51" X 38"	408
	ALUMINUM	52"	55"	49" X 39"	384
ALL KC 2089 SERIES BODIES	TREADPLATE	52"	55"	51" X 38"	415
	ALUMINUM	52"	55"	49" X 39"	391
ALL KC 2094 SERIES BODIES	TREADPLATE	58"	61"	58" X 38"	433
ALL KUV D20 SERIES BODIES	ALUMINUM	58"	61"	56" X 39"	407
ALL KUV DH & DL SERIES BODIES	TREADPLATE	69"	72"	68" X 38"	561
	ALUMINUM	69"	72"	67" X 39"	531



77009447	LOOSE, STEEL LIFT GATE WITH LED LIGHTS	
77009439	LOOSE, ALUMINUM LIFT GATE WITH LED LIGHTS	
Option No.	APPLICATION	PRICE

### KUV & KC LIFT GATE WITH PENDANT CONTROL

LIFT GATES MANUFACTURED BY TOMMY GATE ARE AVAILABLE WITH A 10 FOOT PENDANT CONTROL WHICH PLUGS INTO A SOCKET MOUNTED ON THE STREET SIDE POST OF THE LIFT GATE. THE PENDANT CONTROL IS PROVIDED IN ADDITION TO THE FIXED CONTROLS MOUNTED ON CURB SIDE POST. REFER TO THE LIFT GATE WITH FIXED CONTROLS FOR ALL SPECIFICATIONS, DIMENSIONS, WEIGHTS, AND RESTRICTIONS FOR APPLICATION. THE PENDANT CONTROL IS AVAILABLE FACTORY INSTALLED FROM TOMMY GATE OR AS A LOOSE KIT FOR UPFITTER INSTALLATION ON THE STREET SIDE POST.



77009462	LOOSE, STEEL LIFT GATE WITH PENDANT CONTROL	
77009454	LOOSE, ALUMINUM LIFT GATE WITH PENDANT CONTROL	
12311080	LOOSE, PENDANT CONTROL KIT FOR UPFITTER INSTALLATION	
Option No.	APPLICATION	PRICE