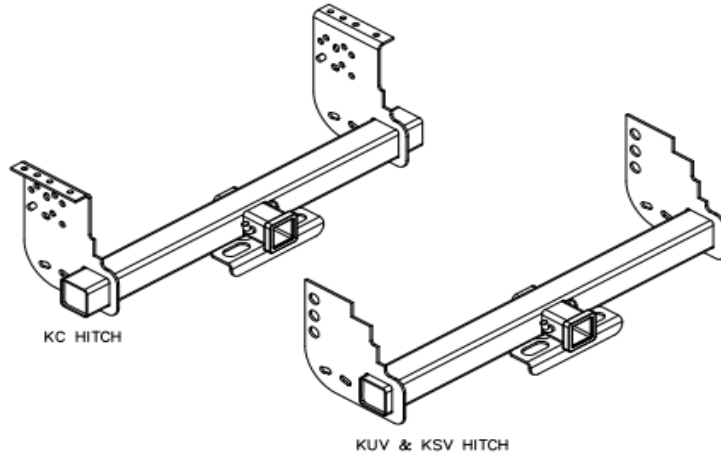


**SERVICE BODY OPTION**

**KUV & KC RECEIVER HITCH - LIFT GATE COMPATIBLE**

CLASS V RECEIVER HITCH INTENDED TO BE USED IN CONJUNCTION WITH A TOMMY GATE LIFT GATE ON KUV OR KC SERIES BODY. HITCH MOUNTING PLATES REPLACE STANDARD QUICK-MOUNT BRACKETS ON KC SERIES APPLICATIONS. TOP OF HITCH IS 2" BELOW LIFT GATE, AND HITCH SUPPORTS BOTTOM OF LIFT GATE. HITCH RATING IS 12,000 LBS. MAX. TRAILER WEIGHT AND 2400 LBS. MSX. TONGUE WEIGHT, AND REQUIRES A DRAWBAR WITH A 2.5" SQUARE SHANK. KIT INCLUDES A REESE RECEIVER ASSEMBLY, MOUNTING PLATES AND INSTALLATION INSTRUCTIONS. HITCH WILL FIT FRAMES UP TO 42" IN WIDTH. WELDING IS REQUIRED TO MOUNT THE HITCH TO THE FRAME. THE HITCH WEIGHS 60 LBS. AND IS SHIPPED WITH A BLACK TOP COAT FINISH.

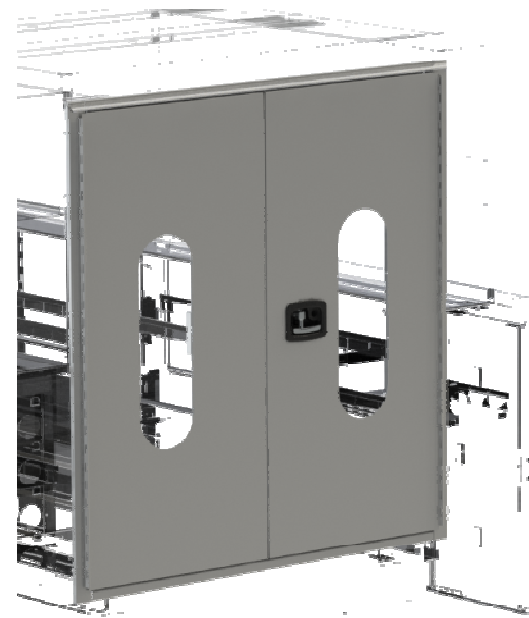
NOTE: DO NOT EXCEED THE TOWING CAPACITY SPECIFIED BY THE CHASSIS MANUFACTURER IF IT IS LESS THAN THE ABOVE STATED HITCH CAPACITY.



26221028	LOOSE, RECEIVER HITCH FOR KUV WITH LIFT GATE	
26221036	LOOSE, RECEIVER HITCH FOR KC WITH LIFT GATE	
Option No.	APPLICATION	PRICE

**TWIST LATCH, T-HANDLE, CANOPY ROOF REAR DOORS**

REFINED, AUTOMOTIVE QUALITY, TWIST LATCH WITH CHROME T-HANDLE INSTALLED IN LIEU OF THE STANDARD CANOPY ROOF REAR OVERLAP DOOR LATCH. EXTRA LARGE, HAND-MOLDED HANDLE IS DESIGNED FOR MAXIMUM EASE OF OPERATION. THIS OPTION INCLUDES ONLY THE LATCH FOR THE REAR DOOR IT WILL NEED TO BE USED IN CONJUNCTION WITH THE TWIST LATCH OPTION FOR THE BODY DOORS. THIS IS ONLY REQUIRED WITH CANOPY ROOFS, KUV AND KUVcc BODIES ORDERED WITH THE TWIST LATCH OPTION WILL INCLUDE THE REAR DOOR.



77006799	TWIST LATCH, T-HANDLE, CANOPY ROOF REAR DOORS	
Option No.	APPLICATION	PRICE