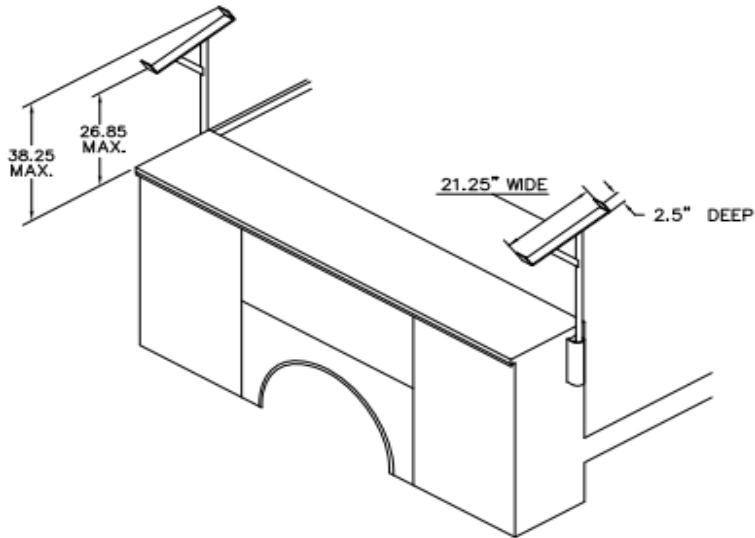


SERVICE BODY OPTION

SIDE MOUNT LADDER RACK

LADDER RACK IS CONSTRUCTED OF 1" STRUCTURAL PIPE AND 1/4" X 2" BAR, AND IT IS PROVIDED IN PRIME PAINT. ALL MOUNTING BRACKETS AND HARDWARE ARE ZINC PLATED TO PROVIDE MAXIMUM CORROSION PROTECTION. TWO 1" WIDE RUBBERIZED NYLON BELTS ARE PROVIDED TO SECURE THE LADDER IN STOWED POSITION. THE WEIGHT OF THE SIDE MOUNT LADDER RACK IS 25 LBS. THE LOAD CARRYING CAPACITY IS 150 POUNDS. WHEN MOUNTED ACCORDING TO RECOMMENDED PROCEDURES, THE LADDER RACK IS COMPATIBLE WITH ALL OTHER OPTIONS EXCEPT A CANOPY ROOF AND CRK IS MOUNTED ON CURB SIDE. THE SIDE MOUNTED LADDER RACK CAN BE USED ON ANY BODY (EXCEPT KUV/KC SERIES) AND IS AVAILABLE LOOSE ONLY.

OPTION NOT COMPATIBLE WITH RAM MOUNTING OPTION 77007300 OR 77006468.

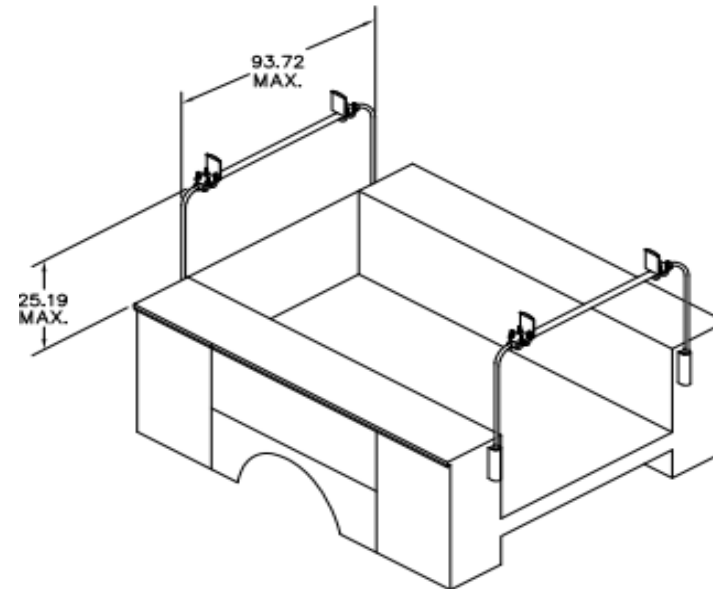


20063020	LOOSE, SIDE MOUNT LADDER RACK	
Option No.	APPLICATION	PRICE

OVERHEAD LADDER RACK

LADDER RACK BOW IS OF THREE PIECE CONSTRUCTION TO ACCOMMODATE A WIDE RANGE OF HEIGHT AND WIDTH REQUIREMENTS. THE VERTICAL POSTS ARE PRIME PAINTED 1" STRUCTURAL PIPE, AND THE CENTER SECTION IS 1 1/4" GALVANIZED PIPE. ALL MOUNTING BRACKETS AND HARDWARE ARE ZINC PLATED TO PROVIDE MAXIMUM CORROSION PROTECTION. TWO 1" WIDE RUBBERIZED NYLON BELTS ARE PROVIDED TO SECURE THE LADDER IN STOWED POSITION. TWO ADDITIONAL BELTS AND MOUNTING HARDWARE ARE AVAILABLE AS A KIT FOR APPLICATIONS WHERE MORE THAN ONE LADDER IS BEING STOWED. THE WEIGHT OF THE OVERHEAD LADDER RACK IS 60 LBS. THE LOAD CARRYING CAPACITY IS 300 LBS. WHEN MOUNTED ACCORDING TO RECOMMENDED PROCEDURES, THE LADDER RACK IS NOT COMPATIBLE WITH THE CRK OPTION. THE OVERHEAD LADDER RACK CAN BE USED ON ANY BODY (EXCEPT KUV SERIES) AND IS AVAILABLE LOOSE ONLY. THE OVERHEAD LADDER RACK MAY ALSO BE USED ON A CANOPY ROOF BY SHORTENING THE POSTS.

OPTION NOT COMPATIBLE WITH RAM MOUNTING OPTION 77007300 OR 77006468.



20062360	LOOSE, LADDER RACK WITH TWO BELTS	
20062378	LOOSE, KIT WITH TWO ADDITIONAL BELTS FOR 2ND LADDER	
Option No.	APPLICATION	PRICE