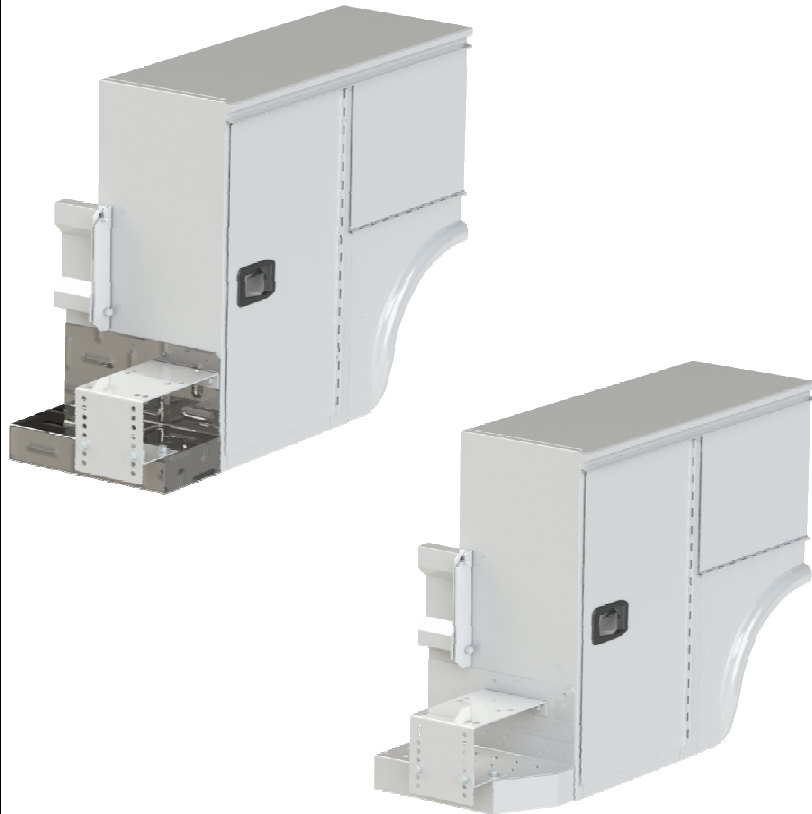


SERVICE BODY OPTION

MECHANIC'S VISE BRACKET

ADJUSTABLE MECHANIC'S VISE BRACKET DESIGNED TO BE USED IN CONJUNCTION WITH TREADPLATE AND GALVA-GRIP BUMPERS. THE 12.25" X 7.63" VISE MOUNTING SURFACE CAN BE ADJUSTED IN 1" INCREMENTS FROM 2" TO 8" ABOVE THE TOP OF THE BUMPER TO POSITION VISE AT COMFORTABLE WORKING HEIGHT. THE BRACKET IS CONSTRUCTED OF 3/16" STEEL, WEIGHS 11 LBS AND IS ATTACHED TO THE BUMPER WITH FOUR 1/2" DIAMETER BOLTS. THE VISE MOUNTING SURFACE IS PRE-PUNCHED TO ACCOMMODATE A 3.5", 4.0" OR 4.5" WILTON VISE WITH SWIVEL BASE. THE VISE BRACKET IS PROVIDED LOOSE ONLY IN PRIME PAINT.

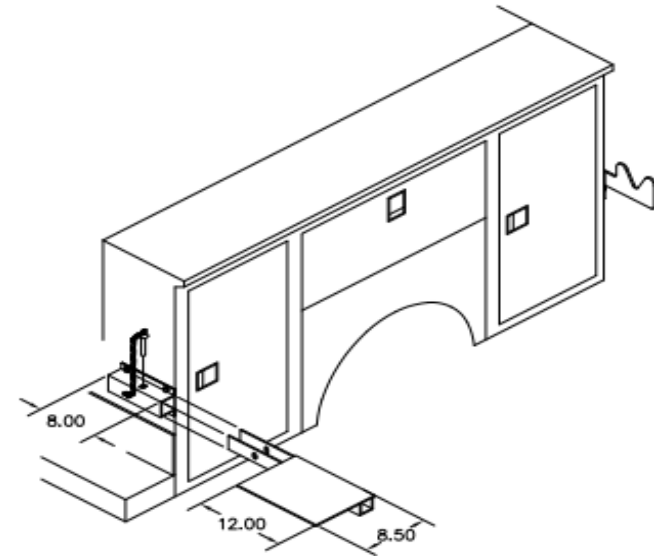


20072732	LOOSE, MECHANIC'S VISE BRACKET	
Option No.	APPLICATION	PRICE

PIPE VISE BRACKET AND FRONT PIPE SUPPORT

REMOVABLE PIPE VISE MOUNTING BRACKET WHICH CAN BE MOUNTED ON THE REAR OF THE BODY AS SHOWN OR ON TOP OF THE BUMPER. THE 8.5" X 12" VISE BRACKET BASE WILL ACCOMMODATE A WIDE VARIETY OF PIPE VISES. THE 3/16" STEEL VISE BRACKET AND MOUNTING BASE ARE HELD IN ENGAGEMENT WITH A 1/2" DIAMETER PIN WHICH CAN BE REMOVED TO ALLOW THE VISE AND BRACKET TO BE STORED IN THE BODY FOR SECURITY. THE 1/4" STEEL FRONT PIPE SUPPORT PIVOTS 180 DEGREES FOR STORAGE. THE TOTAL WEIGHT OF THE VISE BRACKET AND FRONT SUPPORT IS 16 LBS. SHIPPED LOOSE ONLY IN PRIME PAINT. AVAILABLE FOR USE WITH ALL BODY MODELS WITH THE FOLLOWING EXCEPTIONS:

- SINGLE REAR WHEEL KUV MODELS (CAB INTERFERENCE)



20072690	LOOSE, ONE PIPE VISE BRACKET AND FRONT PIPE SUPPORT	
Option No.	APPLICATION	PRICE