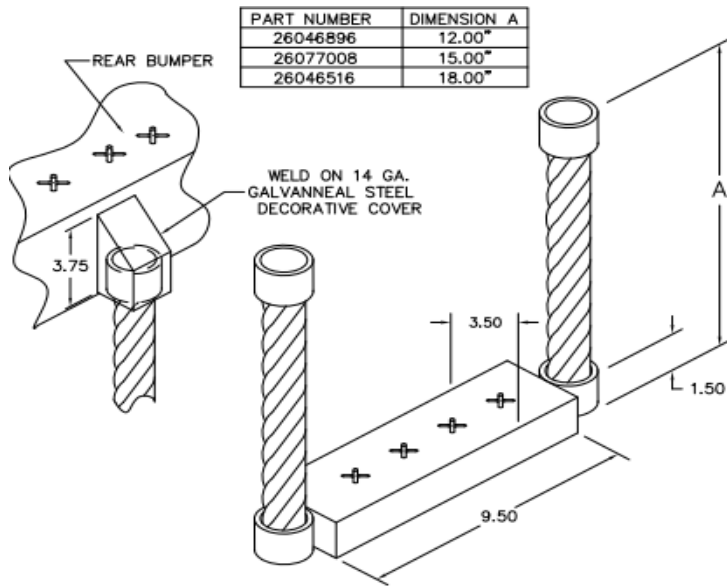


SERVICE BODY OPTION

CABLE TYPE GALVA-GRIP STEP

FLEXIBLE STEP IS FABRICATED FROM 12 GA. GALVANNEAL WITH "GRIP TREAD" PUNCHED INTO STEP SURFACE. CABLE IS 1.25" DIAMETER X LENGTH SHOWN BELOW. THE STEP ASSEMBLY IS PRIME PAINTED. A PAIR OF DECORATIVE COVERS ARE AVAILABLE FOR APPLICATIONS WHERE THE CABLE STEP IS MOUNTED TO THE REAR SURFACE OF THE BUMPER. NET WEIGHT IS 5 LBS. AVAILABLE LOOSE FOR ALL MODELS.



THIS PANEL INTENTIONALLY LEFT BLANK

26046896	LOOSE, ONE CABLE STEP WITH 12.0" LENGTH CABLE	
26077008	LOOSE, ONE CABLE STEP WITH 15.0" LENGTH CABLE	
26046516	LOOSE, ONE CABLE STEP WITH 18.0" LENGTH CABLE	
26046888	LOOSE, ONE PAIR OF DECORATIVE COVER (14 GA.)	
Option No.	APPLICATION	PRICE