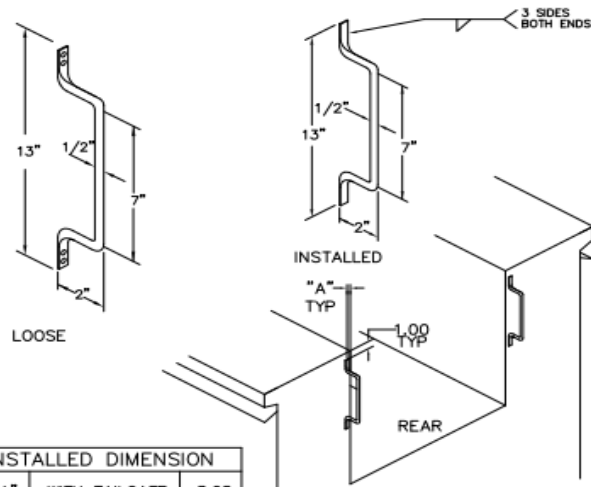


SERVICE BODY OPTION

GRAB HANDLE

LOOSE GRAB HANDLES AVAILABLE IN EITHER ZINC PLATED STEEL OR ANODIZED ALUMINUM FINISH. LOOSE KITS INCLUDE TWO GRAB HANDLES AND MOUNTING HARDWARE. INSTALLED HANDLES ARE ZINC PLATED ONLY AND LOCATED AS INDICATED BELOW. INSTALLED HANDLES ARE EACH. WEIGHT IS 1 POUND EACH. AVAILABLE FOR ALL BODIES WITH THE FOLLOWING EXCEPTIONS:

- 38J AND 60J CRANE BODIES HAVE RIGHT AND LEFT HANDLES STANDARD
- KUV AND KC SERIES BODIES HAVE RIGHT HANDLE STANDARD

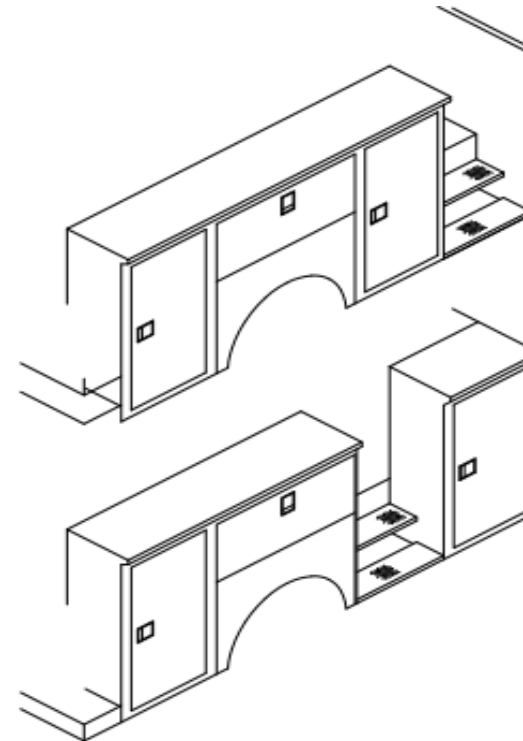


INSTALLED DIMENSION		
"A"	WITH TAILGATE	3.25
"A"	NO TAILGATE	.5

77003531	INSTALLED, ONE 12" ZINC PLATED GRAB HANDLE - LEFT	
77003549	INSTALLED, ONE 12" ZINC PLATED GRAB HANDLE - RIGHT	
20046892	LOOSE, KIT WITH TWO ZINC PLATED GRAB HANDLES AND MOUNTING HARDWARE	
20046884	LOOSE, KIT WITH TWO ANODIZED ALUMINUM GRAB HANDLES AND MOUNTING HARDWARE	
Option No.	APPLICATION	PRICE

BODY SIDE ACCESS STEPS

GRIP STRUT ACCESS STEPS PROVIDED IN LIEU OF FRONT, SECOND FRONT, OR THIRD FRONT VERTICAL COMPARTMENT ON 600 SERIES BODIES ON SPECIAL ORDER BASIS ONLY. AVAILABLE CURB SIDE ONLY. NOT AVAILABLE ON COMPACT, 500, 700 SERIES OR ON CRANE BODIES. NOT AVAILABLE WITH ELECTRIC LOCKS.



SB16-10	INSTALLED, IN LIEU OF FRONT VERTICAL COMPARTMENT	
SB16-10A	INSTALLED, IN LIEU OF SECOND VERTICAL COMPARTMENT	
SB16-10B	INSTALLED, IN LIEU OF THIRD VERTICAL COMPARTMENT	
Option No.	APPLICATION	PRICE