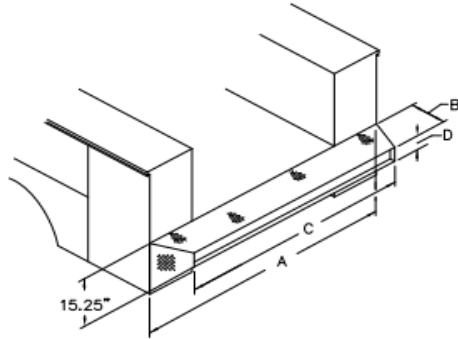


## SERVICE BODY OPTION

### TAILSHELF

HEAVY DUTY TAILSHELF TO PROVIDE AN EXTENDED WORK SURFACE AT FLOOR LEVEL. TAILSHELVES FOR USE WITH SERVICE BODIES ARE CONSTRUCTED FROM 5" STRUCTURAL CHANNEL AND 3/16" TREADPLATE. TAILSHELVES FOR USE WITH LINE BODIES ARE CONSTRUCTED FROM 6" STRUCTURAL CHANNEL AND 3/16" TREADPLATE. TAILSHELVES ARE AVAILABLE LOOSE ONLY IN PRIME PAINT. DIMENSIONS AND WEIGHTS ARE SHOWN BELOW. AVAILABLE FOR USE WITH ALL 89" AND 94" WIDE BODIES WITH THE FOLLOWING EXCEPTIONS:

- ALL KUV & KC SERIES BODIES
- ALL CRANE BODIES



#### DIMENSIONS & WEIGHTS

OPTION NO.	A	B	C	D	WEIGHT
20030417	88.50"	12.00"	78.50"	5.10"	157
20030433	93.50"	12.00"	83.50"	5.10"	190
20030607	93.50"	12.00"	83.50"	6.19"	217
20030615	93.50"	18.00"	83.50"	6.19"	271
20030623	93.50"	24.00"	83.50"	6.19"	325

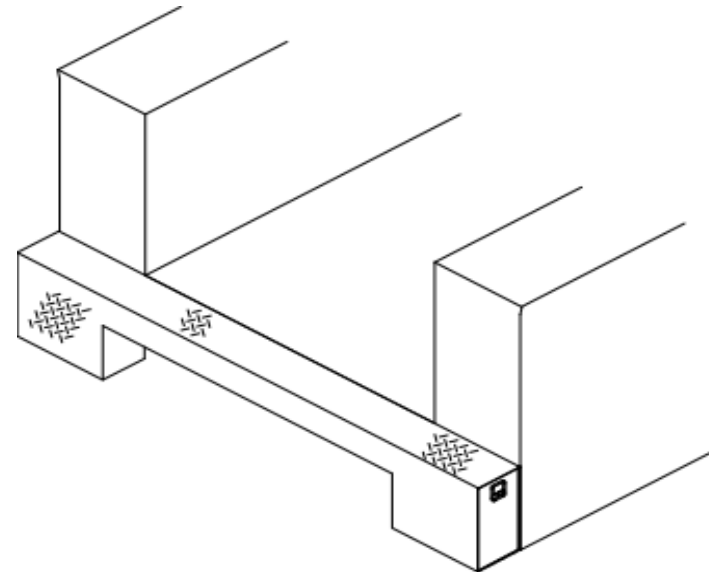
20030417	LOOSE, 12" TAILSHELF FOR SERVICE BODY 89" WIDE	
20030433	LOOSE, 12" TAILSHELF FOR SERVICE BODY 94" WIDE	
20030607	LOOSE, 12" TAILSHELF FOR LINE BODY	
20030615	LOOSE, 18" TAILSHELF FOR LINE BODY	
20030623	LOOSE, 24" TAILSHELF FOR LINE BODY	
Option No.	APPLICATION	PRICE

### TAILSHELF WITH THROUGH COMPARTMENT

12" TAILSHELF WITH THROUGH STORAGE COMPARTMENT AND ACCESS DOOR BOTH STREET AND CURB SIDE. 1/8" TREADPLATE CONSTRUCTION WITH 6" STRUCTURAL CHANNEL FRAME. ACCESS DOORS ARE 10" WIDE X 16" HIGH WITH DOOR SEALS AND GALVANNEAL RIVETED LATCHES. CLEAR DOOR OPENING IS 7.5" X 13.5". APPLICABLE ONLY TO 94" WIDE D54 SERVICE BODIES AND ALL LINE BODIES.

- NOT FOR USE ON KUV OR KC SERIES BODIES
- NOT FOR USE ON CRANE BODIES

**NOTE:** ON 94" WIDE D54 SERVICE BODY APPLICATIONS, COMPARTMENT WILL EXTEND 4.5" BELOW BODY.



20030268	LOOSE, TAILSHELF WITH THROUGH COMPARTMENT	
Option No.	APPLICATION	PRICE