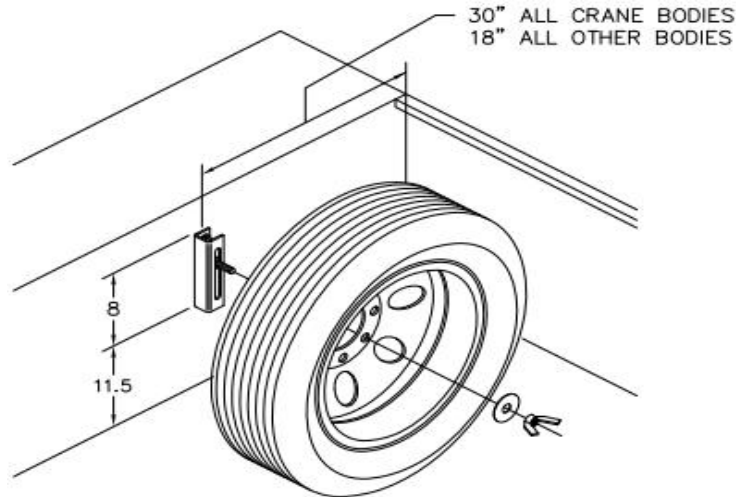


SERVICE BODY OPTION

SPARE TIRE RETAINER

UNIVERSAL SPARE TIRE RETAINER DESIGNED WITH SIX INCHES OF ADJUSTABILITY TO ACCOMMODATE ALL WHEEL AND TIRE COMBINATIONS FROM 14" UP TO 22.5". THE SPARE TIRE MOUNTING BRACKET IS CONSTRUCTED OF 3/16" STEEL PLATE AND IS ZINC PLATED TO PREVENT CORROSION. TWO ZINC PLATED 1/2" DIAMETER CARRIAGE HEAD RETAINING BOLTS ARE INCLUDED, 3" AND 10" LONG, TO ACCOMMODATE A WIDE RANGE OF WHEEL OFFSETS. A ZINC PLATED WING NUT AND WASHER ARE ALSO INCLUDED. THE SPARE TIRE RETAINER WEIGHS 2 LBS. AVAILABLE LOOSE OR INSTALLED ON THE STREET SIDE COMPARTMENT BACK ON ALL BODIES WITH THE FOLLOWING EXCEPTIONS:

- NOT AVAILABLE INSTALLED IN CONJUNCTION WITH BOTTLE GAS RETAINER IN CARGO AREA
- NOT AVAILABLE INSTALLED ON WESTERNER STYLE STORAGE BODIES
- NOT AVAILABLE INSTALLED ON PLUS 50 BODIES
- NOT AVAILABLE INSTALLED WITH TSR (OPTION NOT COMPATIBLE WITH TSR)

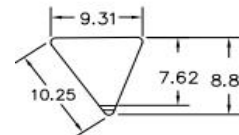
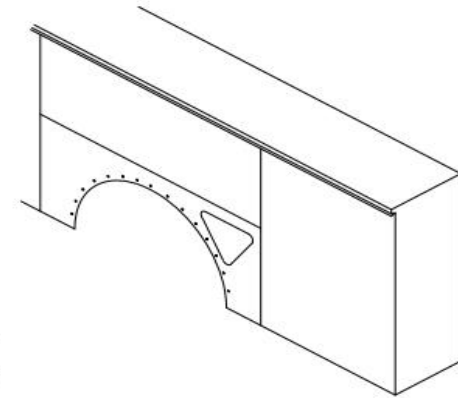


77000370	INSTALLED, STREET SIDE CARGO AREA	
20048955	LOOSE, SPARE TIRE RETAINER	
Option No.	APPLICATION	PRICE

**WHEEL CHOCK HOLDER WITH FENDERETTE HOLES
FENDERSKIRT FOR HC AND BHC BODIES**

WHEEL CHOCK HOLDER WITH INTEGRAL RETAINERS INSTALLED IN LINE BODY FENDERETTE FENDERSKIRT WITH 1/4" HOLES ON 3 - 1/2" SPACING TO HOLD STANDARD WHEEL CHOCKS. CHOCK HOLDER IS 14" DEEP. WHEEL CHOCKS MUST BE ORDERED SEPARATELY. WHEEL CHOCK HOLDER IS CONSTRUCTED OF 14 GA. GALVANNEAL STEEL. THE INSTALLED WEIGHT IS 20 LBS FOR TWO CHOCKS, 40 LBS FOR FOUR CHOCKS. AVAILABLE ON ALL LINE BODIES. NOT AVAILABLE FOR THE FOLLOWING BODIES:

- COMPACT BODIES, CRANE BODIES, SERVICE BODIES



CHOCK HOLDER
CLEAR OPENING

77007268	INSTALLED, ONE CHOCK HOLDER EACH SIDE IN REAR OF FENDERSKIRT. USE FOR THE FOLLOWING APPLICATIONS: - ALL MEDIUM DUTY TRUCKS	
77007284	INSTALLED, FOUR CHOCK HOLDERS - TWO EACH SIDE IN FENDERSKIRT (LINE BODIES ONLY)	
Option No.	APPLICATION	PRICE