

SERVICE BODY OPTION

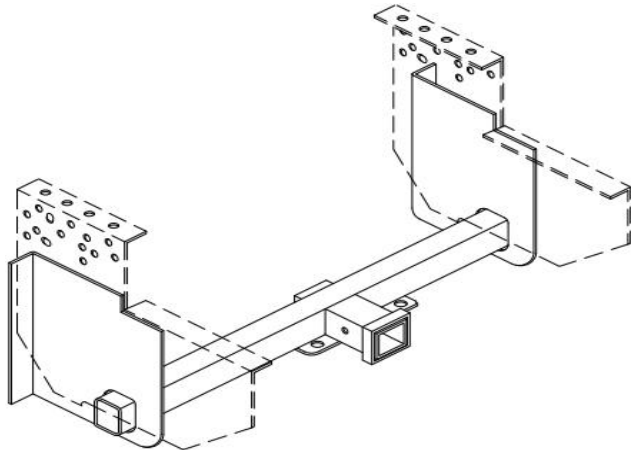
RECEIVER HITCH KIT - RECESS BUMPER

CLASS V RECEIVER HITCH INTENDED TO BE USED IN CONJUNCTION WITH A PINTLE HOOK RECESS STYLE BUMPER ON SERVICE BODIES AND KC SERIES BODIES ONLY. NOT FOR USE WITH KUV SERIES BODIES. KIT INCLUDES A REESE RECEIVER ASSEMBLY, TWO MOUNTING PLATES AND INSTALLATION INSTRUCTIONS. WELDING IS REQUIRED TO MOUNT THE HITCH TO THE BODY MOUNTING BRACKETS. HITCH WILL FIT FRAMES UP TO 42" IN WIDTH. THE HITCH WEIGHS 61 LBS AND IS SHIPPED WITH A BLACK TOP COAT FINISH. AVAILABLE FOR USE ON SERVICE BODIES AND KC SERIES BODIES WITH THE FOLLOWING EXCEPTIONS:

- KUV SERIES BODIES
- CRANE BODIES
- CAN NOT BE USED ON 2007 & LATER RAM 60" OR 84" CA WITH REAR FUEL TANK. USE STEP BUMPER HITCH 26206524
- NOT COMPATIBLE WITH RAM 56" CA MOUNTING KIT OPTION 77007300 WHICH MOVES THE BODY FORWARD 2.5".

NOTE: DO NOT EXCEED THE TOWING CAPACITY SPECIFIED BY THE CHASSIS MANUFACTURER IF IT IS LESS THAN THE ABOVE STATED CAPACITY.

PART NO.	MAX TRAILER WEIGHT	MAX TONGUE WEIGHT	SQUARE SHANK SIZE
26230110	6,000 LBS	1,200 LBS	2.00"
26102553	12,000 LBS	2,400 LBS	2.50"
26113449	16,000 LBS	3,200 LBS	2.50"

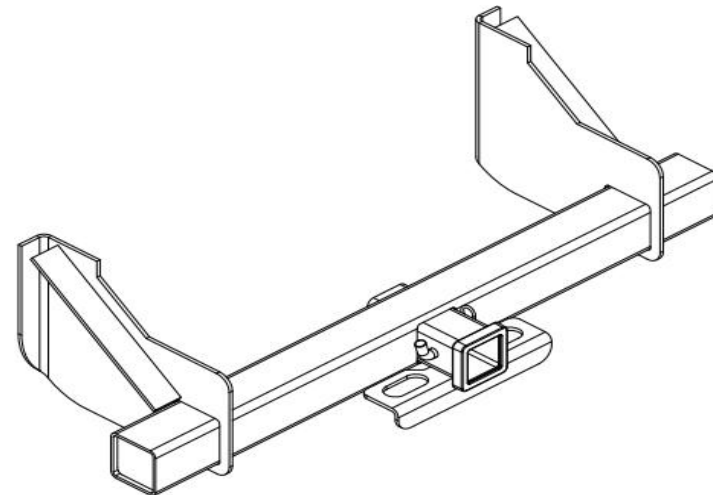


26113449	LOOSE, RECEIVER HITCH KIT - 16,000 LBS	
26230110	LOOSE, RECEIVER HITCH KIT - KUV 129/153 FT/RP - 6,000 LBS	
26102533	LOOSE, RECEIVER HITCH KIT - 12,000 LBS	
Option No.	APPLICATION	PRICE

RECEIVER HITCH KIT - STEP BUMPER

CLASS V RECEIVER HITCH INTENDED TO BE USED IN CONJUNCTION WITH A STEP STYLE BUMPER ON KUV SERIES BODIES ON CUTAWAY CHASSIS OR KC SERIES ON CHASSIS CABS. ALSO FOR USE WITH SERVICE BODY ON 2007 & LATER RAM 60" & 84" CA CAB CHASSIS WITH REAR FUEL TANK. HITCH RATING IS 12,000 LBS MAX. TRAILER WEIGHT AND 2400 LBS MAX. TONGUE WEIGHT, AND REQUIRES A DRAWBAR WITH A 2.5" SQUARE SHANK. KIT INCLUDES A REESE RECEIVER ASSEMBLY, MOUNTING PLATES AND INSTALLATION INSTRUCTIONS. HITCH WILL FIT FRAMES UP TO 42" IN WIDTH. WELDING IS REQUIRED TO MOUNT THE HITCH TO THE FRAME. THE HITCH WEIGHS 61 LBS. AND IS SHIPPED WITH A BLACK TOP COAT FINISH.

NOTE: DO NOT EXCEED THE TOWING CAPACITY SPECIFIED BY THE CHASSIS MANUFACTURER IF IT IS LESS THAN THE ABOVE STATED HITCH CAPACITY.



26200501	LOOSE, KIT RECEIVER HITCH FOR KUV WITH STEP BUMPER	
20055412	LOOSE, KIT RECEIVER HITCH - KUV153 OR KUV 181 ON C4500 OR C5500 WITH STD STEP BUMPER OR LOW STEP BUMPER	
26206524	LOOSE, KIT RECEIVER HITCH - KC BODIES WITH STEP BUMPER OR UB ON 2007 & LATER RAM 60/84 CA W/ REAR TANK	
Option No.	APPLICATION	PRICE