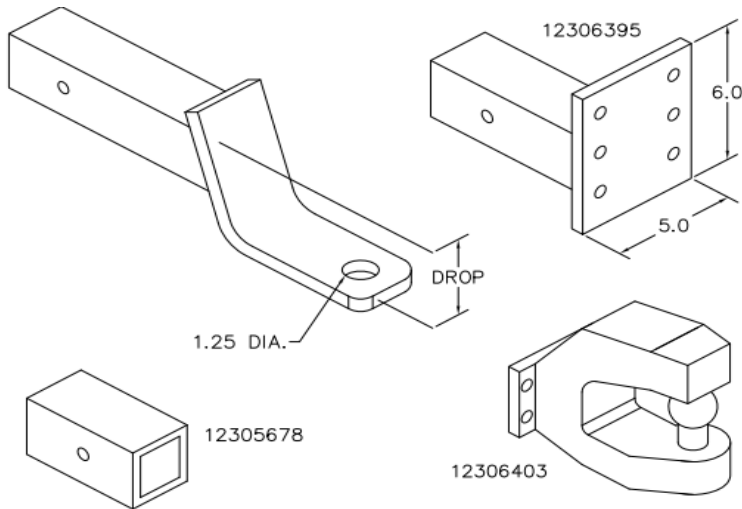


**SERVICE BODY OPTION**

**RECEIVER HITCH DRAWBARS**

RECEIVER HITCH DRAWBARS ARE FOR USE WITH CLASS V 2.5" RECEIVER HITCHES. DRAWBARS HAVE 2.5" SQUARE SHANKS AND ARE RATED AT 12,000 LBS MAX. TRAILER WEIGHT AND 1200 LBS MAX. TONGUE WEIGHT. PINTLE HOOK WITH BALL COMBINATION IS RATED AT 16,000 LBS MAX. TRAILER WEIGHT AND 3,000 LBS TONGUE WEIGHT. SHIPPED WITH A BLACK TOP COAT FINISH.

NOTE: DO NOT EXCEED THE TOWING CAPACITY SPECIFIED BY THE CHASSIS MANUFACTURER. DO NOT EXCEED THE RATED HITCH CAPACITY OR THE RATED DRAWBAR CAPACITY. IF ADAPTER (12305678) IS USED, DO NOT EXCEED THE RATED CAPACITY OF THE 2.0 INCH SQUARE SHANK DRAWBAR.



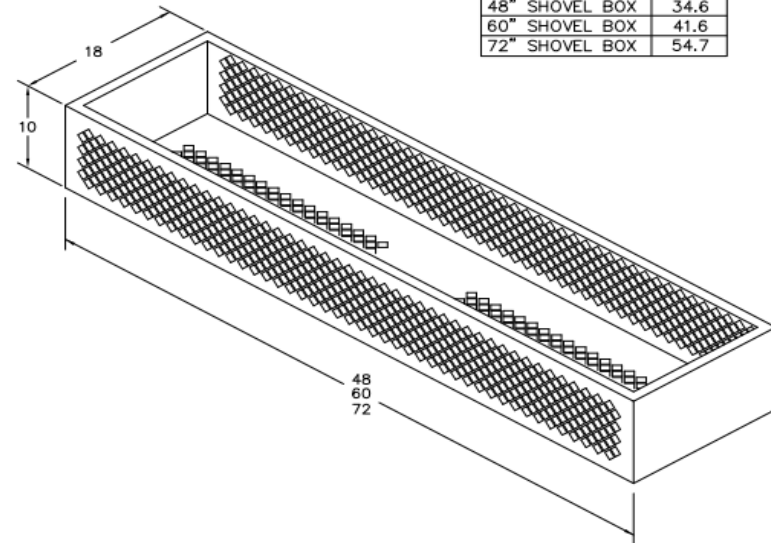
12306361	LOOSE, 2.5" RECEIVER DRAWBAR WITH 3" DROP	
12306379	LOOSE, 2.5" RECEIVER DRAWBAR WITH 5" DROP	
12306387	LOOSE, 2.5" RECEIVER DRAWBAR WITH 7.75" DROP	
12306395	LOOSE, 2.5" RECEIVER DRAWBAR WITH PINTLE MOUNT PLATE	
12306403	LOOSE, PINTLE HOOK COMBINATION WITH 2" BALL	
12305678	LOOSE, ADAPTER FOR 2" DRAWBAR USE WITH 2.5" RECEIVER	
<b>Option No.</b>	<b>APPLICATION</b>	<b>PRICE</b>

**SHOVEL BOX**

10" HIGH X 18" DEEP X LENGTHS SHOWN BELOW WITH 7/8" DIAMOND HOLE PATTERN AS SHOWN. CONSTRUCTED OF 14 GA. GALVANNEAL STEEL. FOR INSTALLATION ON COMPARTMENT TOP (MINIMUM 18" COMPARTMENT DEPTH) OR IN CARGO AREA. OPTIONAL MOUNTING KIT INCLUDES 3 NON METALLIC 1/4" THICK SPACERS AND INSTALLATION HARDWARE. APPLICABLE TO ALL BODIES. SHOVEL BOX COMES IN PRIME PAINT.

**WEIGHTS**

LENGTH	WEIGHT
48" SHOVEL BOX	34.6
60" SHOVEL BOX	41.6
72" SHOVEL BOX	54.7



25123498	LOOSE, 48" SHOVEL BOX/TOOL ORGANIZER	
25123506	LOOSE, 60" SHOVEL BOX/TOOL ORGANIZER	
25105966	LOOSE, 72" SHOVEL BOX/TOOL ORGANIZER	
25105974	MOUNTING KIT	
<b>Option No.</b>	<b>APPLICATION</b>	<b>PRICE</b>