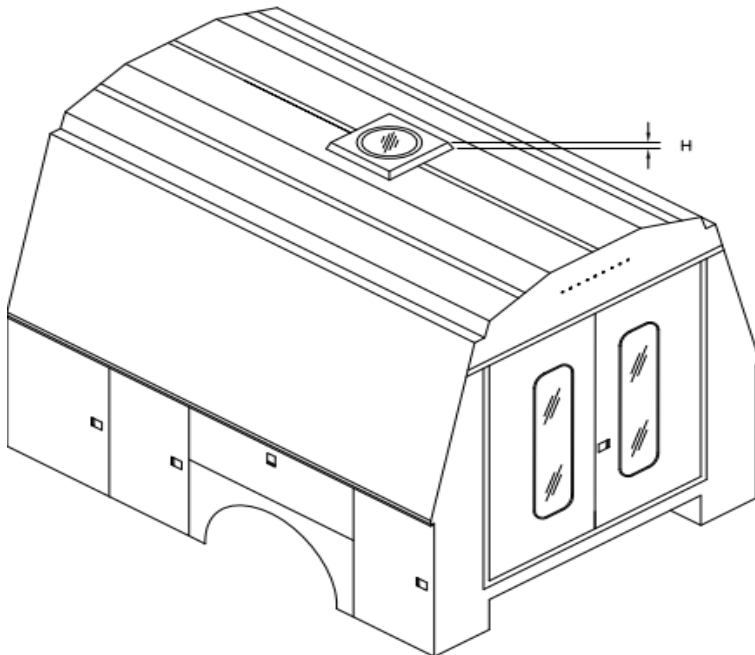


SERVICE BODY OPTION

SKYLIGHT IN ROOF FOR KUV & KC SERIES

THE 12" DIAMETER SKYLIGHT IS MADE FROM TRANSLUCENT FIBERGLASS WITH A WEATHER TIGHT NEOPRENE SEAL. THIS OPTION IS AVAILABLE INSTALLED ONLY FOR ALL KUV AND KC SERIES BODIES.

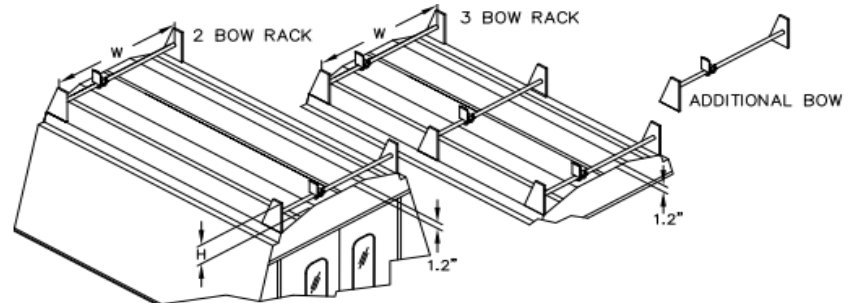
MODELS	H
KUVS & KUVD20 SERIES	.62"
KUVD SERIES	2.62"
ALL KC SERIES	2.62"



Option No.	APPLICATION	PRICE
77004703	INSTALLED, SKYLIGHT IN ROOF FOR KUV AND KC SERIES	

OVERHEAD LADDER RACK FOR KUV & KC SERIES

THE LADDER RACK IS CONSTRUCTED FROM 1/8" HIGH STRENGTH ALUMINUM SUPPORT BRACKETS AND 1-5/8" ALUMINUM PIPE. THE LADDER RACKS ARE PROVIDED AS TWO PIECE OR THREE PIECE WELDMENTS WITH WHITE POWDER COAT FINISH ONLY. ALL MOUNTING BRACKETS AND HARDWARE ARE ZINC PLATED TO PROVIDE MAXIMUM CORROSION PROTECTION. LADDER STOPS AND 1" WIDE RUBBERIZED NYLON BELTS ARE PROVIDED TO SECURE THE LADDER IN STOWED POSITION ON EACH BOW. TWO ADDITIONAL BELTS AND MOUNTING HARDWARE ARE AVAILABLE AS A KIT FOR APPLICATIONS WHERE MORE THAN ONE LADDER IS BEING STOWED. THE WEIGHT OF THE OVERHEAD LADDER RACK IS 11 LBS FOR 2 BOW OR 17 LBS FOR 3 BOW. THE LOAD CARRYING CAPACITY IS 300 LBS WHEN MOUNTED ACCORDING TO RECOMMENDED PROCEDURES. THE LADDER RACK IS COMPATIBLE WITH ALL OTHER OPTIONS EXCEPT ROOF VENTS.



MODELS & APPLICATIONS	W	H
KC1478 & KC2089	48.8"	8.9"
KUVS, KUVD20, KUVD-FT/RP, KC1483 & KC2094	53.8"	8.5"
KUVD	64.8"	7.5"

Option No.	APPLICATION	PRICE
20062659W	LOOSE, WHITE LADDER RACK, TWO BOWS, 64.8" WIDTH	
26061861W	LOOSE, WHITE LADDER RACK, THREE BOWS, 64.8" WIDTH	
26064030W	LOOSE, 1 ADDITIONAL WHITE LADDER RACK BOW, 64.8" WIDTH	
26061564W	LOOSE, WHITE LADDER RACK, TWO BOWS, 53.8" WIDTH	
26061846W	LOOSE, WHITE LADDER RACK, THREE BOWS, 53.8" WIDTH	
26064022W	LOOSE, 1 ADDITIONAL WHITE LADDER RACK BOW, 53.8" WIDTH	
26064105W	LOOSE, WHITE LADDER RACK, TWO BOWS, 48.8" WIDTH	
26064113W	LOOSE, WHITE LADDER RACK, THREE BOWS, 48.8" WIDTH	
26064121W	LOOSE, 1 ADDITIONAL WHITE LADDER RACK BOW, 48.8" WIDTH	
20062378	LOOSE, KIT WITH TWO ADDITIONAL BELTS FOR 2ND LADDER	