

SERVICE BODY OPTION

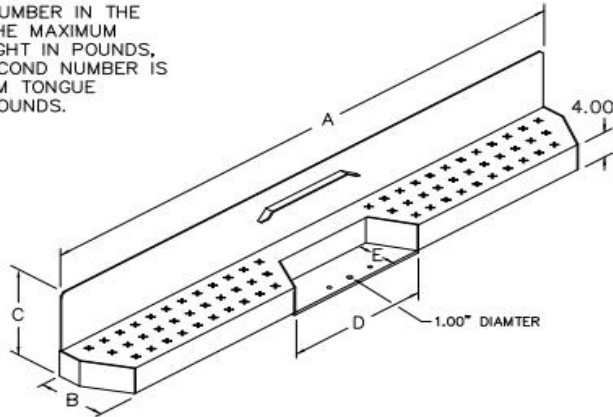
GALVA-GRIP BUMPER W/ BALL RECESS & KNAP LINER

"KNAP-LINER" GALVA-GRIP BALL HITCH BUMPERS ARE COATED ON THE VISIBLE EXTERIOR SURFACES WITH BLACK SPRAY-ON COMPOSITE BEDLINE MATERIAL. HEAVY DUTY 12 GA. GALVANNEAL BUMPER WITH "GRIP TREAD" PUNCHED INTO THE STEP SURFACE. GALVANNEAL MATERIAL PROVIDES SUPERIOR CORROSION RESISTANCE AND ENHANCED PAINT ADHESION. "GRIP TREAD" EXPELS MUD AND PROVIDES BETTER SLIP RESISTANCE THAN TREADPLATE. DESIGNED TO BE MOUNTED IN CONJUNCTION WITH THE "QUICK-MOUNT" BODY MOUNTING BRACKETS AND INTENDED FOR APPLICATIONS WHERE BALL HITCH TRAILER TOWING IS REQUIRED. BUMPER RATING IS STAMPED ADJACENT TO THE BALL HITCH, AND THE APPLICABLE RATINGS ARE SHOWN BELOW ALONG WITH THE WEIGHTS AND DIMENSIONS. BUMPERS OVER 80" IN WIDTH HAVE A GUARD TO PROTECT THE "RID" LIGHTS. AVAILABLE LOOSE ONLY FOR ALL BODIES WITH THE FOLLOWING EXCEPTIONS:

- COMPACT BODIES, CRANE BODIES, LINE BODIES AND KUV BODIES
- SPRINTER BODIES, GM W-SERIES BODIES AND ISUZU NPR BODIES
- 2007 & LATER RAM SINGLE REAR WHEEL 60" CA

OPTION NO.	A	B	C	D	E	WEIGHT	Rating *
26053355	78	8.88	13.12	24.0	6.0	74	5000/500
26263228	83	10.50	9.38	24.0	6.0	79	5000/500
26056184	83	10.50	9.38	24.0	6.0	79	5000/500
26052571	89	8.88	13.12	24.0	6.0	81	5000/500
26053363	94	8.88	13.12	24.0	6.0	85	5000/500

* THE FIRST NUMBER IN THE RATING IS THE MAXIMUM TRAILER WEIGHT IN POUNDS, AND THE SECOND NUMBER IS THE MAXIMUM TONGUE WEIGHT IN POUNDS.



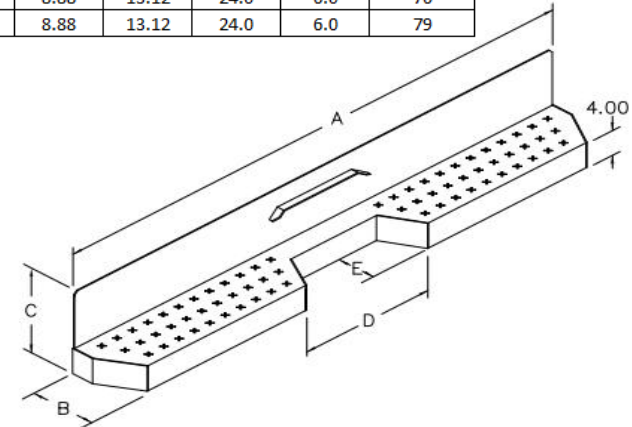
26053355	LOOSE, ALL 78" WIDE BODIES EXCEPT 2007 RAM SRW 60" CA	
26263228	LOOSE, ALL 83" WIDE BODIES (KUV)	
26056184	LOOSE, 83" WIDE BODIES (J-FT/J-RP)	
26052571	LOOSE, ALL 89" BODIES EXCEPT CRANE, LINE AND KUV BODIES	
26053363	LOOSE, ALL 94" BODIES EXCEPT CRANE, LINE AND KUV BODIES	
Option No.	APPLICATION	PRICE

GALVA-GRIP BUMPER W/ PINTLE RECESS & KNAP-LINER

"KNAP-LINER" GALVA-GRIP PINTLE HOOK RECESS BUMPERS ARE COATED ON THE VISIBLE EXTERIOR SURFACES WITH BLACK SPRAY-ON COMPOSITE BEDLINER MATERIAL. HEAVY DUTY 12 GA. GALVANNEAL BUMPER WITH "GRIP TREAD" PUNCHED INTO THE STEP SURFACE. GALVANNEAL MATERIAL PROVIDES SUPERIOR CORROSION RESISTANCE AND ENHANCED PAINT ADHESION. "GRIP TREAD" EXPELS MUD AND PROVIDES BETTER SLIP RESISTANCE THAN TREADPLATE. DESIGNED TO BE MOUNTED IN CONJUNCTION WITH THE "QUICK-MOUNT" BODY MOUNTING BRACKETS AND INTENDED FOR APPLICATIONS WHERE PINTLE HOOK TRAILER TOWING IS REQUIRED. BUMPERS OVER 80" IN WIDTH HAVE A GUARD TO PROTECT THE "RID" LIGHTS. WEIGHTS AND DIMENSIONS ARE SHOWN BELOW. AVAILABLE LOOSE ONLY FOR ALL BODIES WITH THE FOLLOWING EXCEPTIONS:

- COMPACT BODIES, CRANE BODIES, LINE BODIES AND KUV BODIES
- SPRINTER BODIES, GM W-SERIES BODIES AND ISUZU NPR BODIES
- 2007 & LATER RAM SINGLE REAR WHEEL 60" CA

OPTION NO.	A	B	C	D	E	WEIGHT
26053371	78	8.88	13.12	24.0	6.0	67
26263236	83	10.50	9.38	24.0	6.0	70
26056192	83	10.50	9.38	24.0	6.0	70
26057380	83	10.50	9.38	24.0	6.0	70
26053389	89	8.88	13.12	24.0	6.0	76
26053397	94	8.88	13.12	24.0	6.0	79



26053371	LOOSE, ALL 78" WIDE BODIES EXCEPT 2007 RAM SRW 60" CA	
26263236	LOOSE, ALL 83" WIDE BODIES (KUV)	
26056192	LOOSE, 83" WIDE BODIES (J-FT/J-RP)	
26057380	LOOSE, 83" WIDE BODIES (KUV-FT/KUV-RP)	
26053389	LOOSE, ALL 89" WIDE BODIES EXCEPT CRANE BODIES	
26053397	LOOSE, ALL 94" BODIES EXCEPT CRANE, LINE AND KUV BODIES	
Option No.	APPLICATION	PRICE