

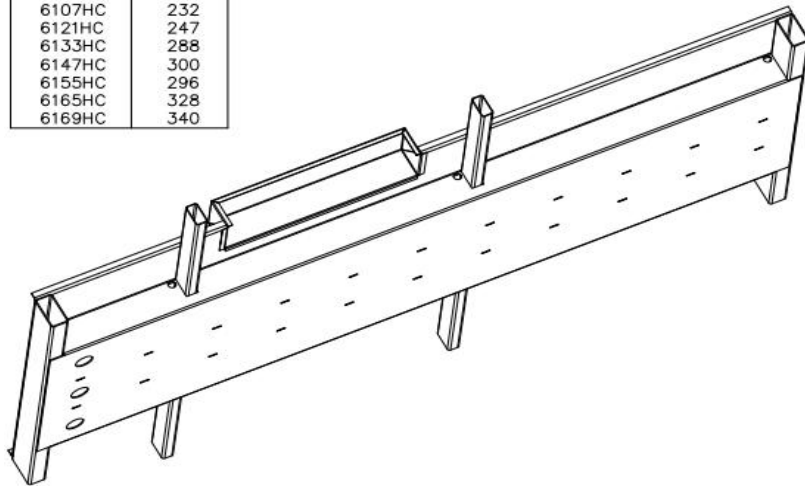
SERVICE BODY OPTION

TORSION BOX FLOOR - LINE BODY

CRANE BODY STYLE TORSION BOX FLOOR IS SUBSTITUTED FOR THE STANDARD LINE BODY FLOOR TO MINIMIZE THE POTENTIAL FOR BODY FRACTURING DUE TO TORSIONAL TWISTING. THE OVERALL HEIGHT OF THE 7 GAUGE TORSION BOX INCLUDING THE FLOOR PLATE IS 6.38" AND THE WIDTH IS 34". THE ADDED WEIGHT FOR THE TORSION BOX FLOOR IS SHOWN IN THE TABLE BELOW. THE MOUNTING KIT IS INCLUDED WITH THIS OPTION, AND THE STANDARD LINE BODY MOUNTING KIT MUST BE DELETED FROM THE ORDER. AVAILABLE INSTALLED ONLY ON ALL LINE BODIES LISTED IN THE WEIGHT TABLE BELOW WITH THE FOLLOWING EXCEPTIONS:

- NOT AVAILABLE ON BOB-TAIL LINE BODY MODELS

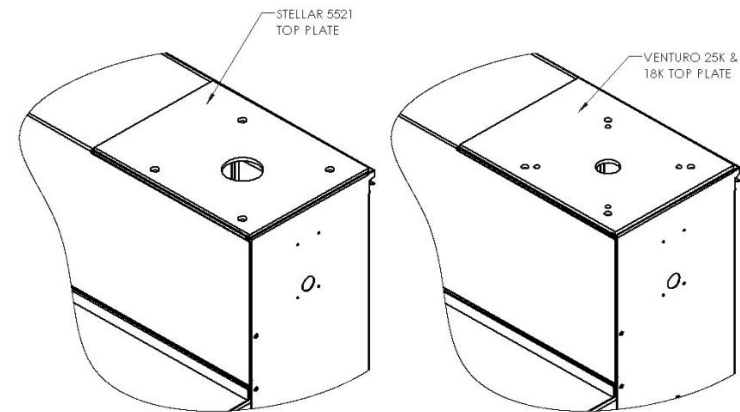
MODEL NO.	WEIGHT
6107HC	232
6121HC	247
6133HC	288
6147HC	300
6155HC	296
6165HC	328
6169HC	340



77008514	INSTALLED, 6107HC TORSION BOX FLOOR	
77008522	INSTALLED, 6121HC TORSION BOX FLOOR	
77008530	INSTALLED, 6133HC TORSION BOX FLOOR	
77008548	INSTALLED, 6147HC TORSION BOX FLOOR	
77008555	INSTALLED, 6155HC TORSION BOX FLOOR	
77008563	INSTALLED, 6165HC TORSION BOX FLOOR	
77008571	INSTALLED, 6169HC TORSION BOX FLOOR	
Option No.	APPLICATION	PRICE

TOP PLATE FOR 30J CRANE BODY

STANDARD 30 SERIES CRANE BODY TOP PLATE IS REPLACED WITH TOP PLATE PRE-DRILLED FOR STELLAR (MODEL 5521) OR VENTURO (MODELS 18K & 25K) CRANES. THE ADDED WEIGHT FOR EITHER STELLAR OR VENTURO TOP PLATE IS 16 LBS. AVAILABLE INSTALLED ONLY ON ALL 30 CRANES.



77008985	INSTALLED, TOP PLATE FOR STELLAR 5521 CRANE	
77008993	INSTALLED, TOP PLATE FOR VENTURO 18K & 25K CRANES	
Option No.	APPLICATION	PRICE