

SERVICE BODY OPTION

TRANSMITTER - ELECTRIC DOOR LOCKS

OPTIONAL KEYLESS REMOTE TRANSMITTERS FOR OPERATING THE ELECTRIC DOOR LOCKS ON SERVICE BODIES AND KUV BODIES. THE SYSTEM IS CAPABLE OF LEARNING FOUR TRANSMITTER CODES ALLOWING ADDITIONAL TRANSMITTERS TO BE USED AS DESIRED. TWO TRANSMITTERS ARE PROVIDED WITH THE ELECTRIC DOOR LOCK OPTION. A BATTERY IS INCLUDED WITH ALL TRANSMITTERS.

NOTE: THIS TRANSMITTER WILL NOT WORK ON ELECTRIC LOCK SYSTEMS ORDERED BEFORE DECEMBER 12, 2006.



12211728	LOOSE, KNAPHEIDE TRANSMITTER	
Option No.	APPLICATION	PRICE

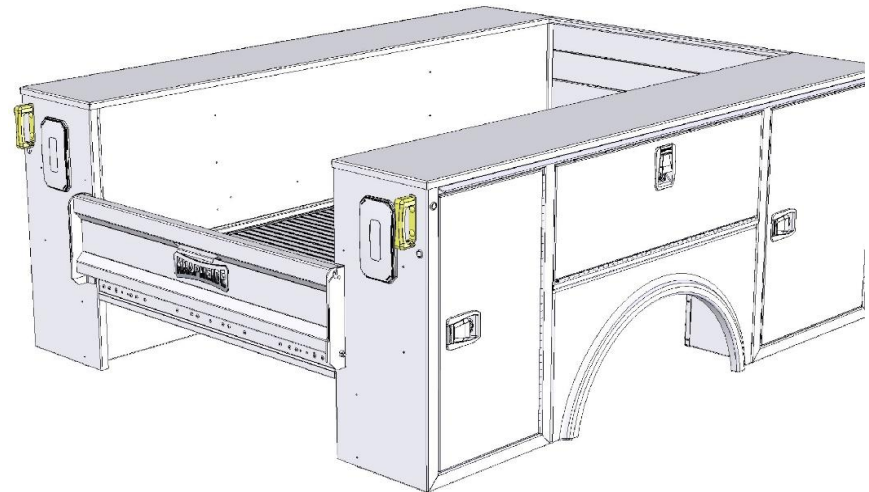
MASTER LOCKING SYSTEM

MASTER LOCKING SYSTEM INCLUDES A MASTER LOCK FOR BOTH SIDES OF THE BODY AND ALLOWS THE OPERATOR TO LOCK ALL COMPARTMENTS ON EACH SIDE OF THE BODY WITH A SINGLE PADLOCK (PADLOCKS NOT INCLUDED). THE MASTER LOCKING SYSTEM IS AVAILABLE INSTALLED OR LOOSE AND OPERATES INDEPENDENT OF THE KEY LOCKS INSTALLED IN EACH INDIVIDUAL DOOR LATCH. THE HARDWARE LOCATED ON THE REAR OF THE BODY IS ZINC PLATED TO PROVIDE CORROSION PROTECTION, AND IT IS DESIGNED TO PADLOCK THE LOCKING BAR IN EITHER THE ENGAGED OR DISENGAGED POSITION. THE LOCKING BAR IS ALSO SPRING LOADED TO AUTOMATICALLY HOLD IT IN THE DISENGAGED POSITION. AVAILABLE ON ALL BODIES WITH THE FOLLOWING EXCEPTIONS:

- RAISED FRONT COMPARTMENTS HAVE SEPARATE HANDLE ON FRONT OF BODY

OPTION NOT COMPATIBLE WITH OTHER REAR BOX OPTIONS:

- REAR ACCESS DOOR
- REAR ACCESS DOOR WITH FULL LENGTH SHELF
- TAILGATE AND LIGHT HOLE DELETE
- TAILGATE DELETE
- LIGHT HOLE DELETE
- 4" LIGHT HOLES
- SWIVEL HOOK IN REAR COMPARTMENT INSTALLED



77009320	INSTALLED, ALL ALUMINUM SERVICE BODIES	
77009490	LOOSE ALL ALUMINUM SERVICE BODIES	
Option No.	APPLICATION	PRICE