

KNAPHEIDE
SINCE 1848

// FORD TRANSIT

KUV BODIES



KNAPHEIDE KUV BODIES

Working out of a Knapheide KUV keeps you organized and productive. Large perimeter bins are easy to access and keep your parts and tools separated into easy-to-manage spaces.

The Knapheide KUV is available in multiple heights and lengths for different applications. It is designed to increase productivity and efficiency through better organization of parts and equipment for specialty contractors, including plumbers, HVACR technicians, electricians, and more.

No more looking for what you need — just grab and go!



KUV129DL-FT
**Body may be shown
with optional features*

Visit [knapheide.com/quote](https://www.knapheide.com/quote) and fill out the form to receive a quote and additional product information.

STANDARD FEATURES

- A** Double panel rear cargo doors lock and seal into the body frame. These 20-gauge galvanized steel doors have nitrogen gas struts and slam latches.
- B** Two conduit chutes to transport copper pipes, PVC, and conduit
- C** Power locks on rear cargo doors and side compartment doors offer enhanced operator convenience. System includes (2) key fobs. (Conduit chute doors do not have power locks.)
- D** Rear vertical compartment contains (1) 250-lb. capacity adjustable divider shelf
- E** Vertical compartment doors employ double-spring over-center retainers for elimination of involuntary swing
- F** Horizontal compartment contains (1) adjustable divider shelf to hold up to 250 lb. (passenger side only)
- G** Neoprene door seals protect compartments from the weather
- H** Front vertical compartments contain (2) 250-lb. capacity adjustable divider shelves
- I** Continuous stainless steel hinges are pry-proof and corrosion-resistant
- J** Automotive-quality, rotary-style latches make opening and closing easy
- K** Spacious cargo storage area with corrugated steel floor for transporting drywall, larger tools, water heaters, and oversized items
- L** Refined ABS partition is equipped with a sliding cab access door and window. The door's slam latch can be locked from the cab and secured in either an open or closed position.
- M** Two interior LED dome lights in cargo area with light switch inside the cargo doors
- N** Electrodeposition prime-paint system provides superior corrosion resistance
- O** Flat panel space provides rolling billboard to promote business
- P** Upgraded surface mount lighting system features LED S/T/T and B/U, LED strobe option* with (8) selectable patterns, and built-in reflectivity for additional safety**
*Additional wire harness required for strobe lights
 **Covered under 3-year limited warranty

Other features not shown:

- All compartments can be locked independently for maximum security
- Aluminum fuel fill
- Grab handle (rear right)



// CARGO AREA AND CONDUIT CHUTE CAPACITY

- 10' in 129" bodies
- 12' in 153" bodies



// AERODYNAMIC WIND DEFLECTOR

- Mounted on body above cab
- Standard on KUV129SH-FT and KUV129DH-FT models

AVAILABLE MODELS

| CHASSIS MODEL | CA | REAR AXLE | CHASSIS WEIGHT | BODY MODEL | BODY HEIGHT | BODY WIDTH | BODY LENGTH | FLOOR WIDTH | COMPARTMENT DEPTH | CLEAR DOOR HEIGHT | CLEAR INTERIOR HEIGHT | WEIGHT | PAYLOAD |
|---------------|-------|-----------|----------------|--------------------------|-------------|------------|-------------|-------------|-------------------|-------------------|-----------------------|-----------|------------------------|
| T-350 | 82.5" | SRW | 4,101 lb. | KUV129SU-FT | 74" | 83.1" | 129.25" | 54" | 14.5" | 50.5" | 59.5" | 1,988 lb. | 3,411 lb. ¹ |
| | | | | KUV129SL-FT | 78.3" | | | | | 55.5" | 64.5" | 1,978 lb. | 3,421 lb. ¹ |
| | | | | KUV129SH-FT ⁴ | 90" | | | | | 66" | 76.5" | 2,074 lb. | 3,325 lb. ¹ |
| T-350 HD | 82.5" | DRW | 4,518 lb. | KUV129DU-FT | 74" | 83.1" | 129.25" | 54" | 14.5" | 50.5" | 59.5" | 2,088 lb. | 4,062 lb. ² |
| | | | | KUV129DL-FT | 78.3" | | | | | 55.5" | 64.5" | 1,996 lb. | 4,074 lb. ² |
| | | | | KUV129DH-FT | 90" | | | | | 66" | 76.5" | 2,093 lb. | 3,977 lb. ² |
| T-350 HD | 100" | DRW | 4,618 lb. | KUV153DU-FT | 74" | 83.1" | 153.25" | 54" | 14.5" | 50.5" | 59.5" | 2,293 lb. | 3,777 lb. ³ |
| | | | | KUV153DL-FT | 78.3" | | | | | 55.5" | 64.5" | 2,278 lb. | 3,792 lb. ³ |
| | | | | KUV153DH-FT | 90" | | | | | 66" | 76.5" | 2,395 lb. | 3,675 lb. ³ |

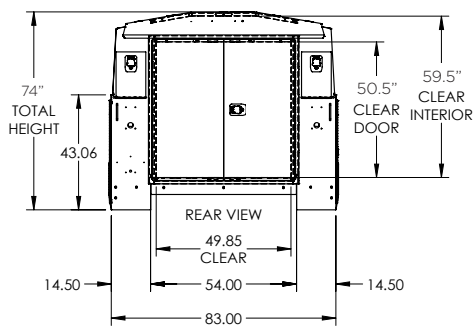
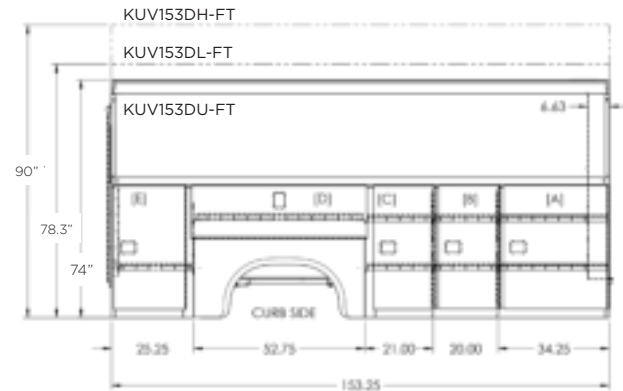
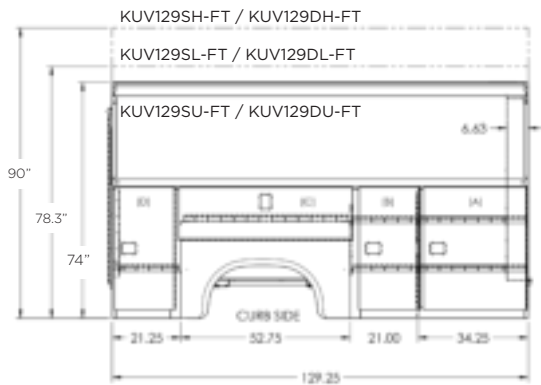
¹ Payload calculated with 3.7G engine and 9,500 GVWR chassis

² Payload calculated with 3.7G engine and 9,950 GVWR chassis

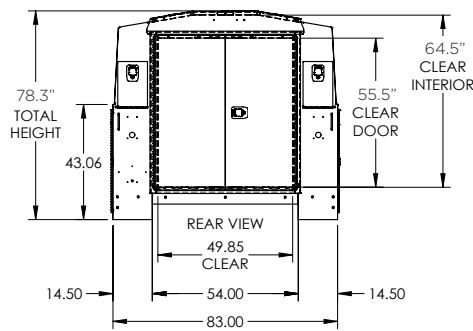
³ Payload calculated with 3.7G engine and 10,360 GVWR chassis

⁴ KUV129SH-FT on SRW chassis requires the chassis option code 15D

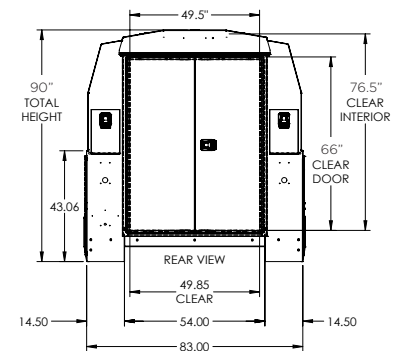
*Body weight is calculated with standard shelving



**KUV129SU-FT
KUV129DU-FT
KUV153DU-FT**



**KUV129SL-FT
KUV129DL-FT
KUV153DL-FT**



**KUV129SH-FT
KUV129DH-FT
KUV153DH-FT**



POPULAR OPTIONS



**MASTER
LOCKING
SYSTEM**



**CODEABLE
PADLOCK**



**UPPER SIDE
GLASS**



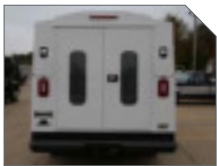
**REAR VISION
CAMERA**



**ALUMINUM
DRAWERS**



SORTIMO



**REAR DOOR
WINDOWS**



**CLASS V
RECEIVER
HITCH**



**PULL OUT
TRAY**



E-TRACK



**LED
COMPARTMENT
LIGHTING**



**MECHANICS
VISE
BRACKET**
Vise sold separately



SPITZLIFT



**SIDE ACCESS
DOOR**



**3 BOW
LADDER
RACK**



**SIDE MOUNT
LADDER
RACK**



COMMITMENT TO CORROSION RESISTANCE

Corrosion won't be a concern when you buy quality Knapheide products. To give you the best corrosion protection, we utilize a state-of-the-art, custom-designed, 12-step, SST cathodic electrodeposition finishing system, called "E-Coat."

It bonds prime paint to steel by an electroplating process to give you a superior coat of primer, resulting in better corrosion protection compared to spraying methods.

This system allows us to create products with the highest level of corrosion resistance available.

NEVER SETTLE

If you are going to be a leader, it takes more than building a high-quality product. It means never being totally satisfied with that product, no matter how high quality it may be. It requires constant vigilance and a willingness to take a chance on something new. And it means exceeding expectations every time. As the industry changes, one thing never will—our commitment to making customers like you as productive and efficient as possible. We know you don't settle, and we don't either. That's why we want you never to settle for anything less than Knapheide on the back of your truck.

Knapheide. Never settle.

SIX-YEAR, LIMITED WARRANTY



NO RUST
THROUGH



DOOR HINGES WILL
NOT FAIL OR COME
OFF BODY



LATCHES AND LOCK
CYLINDERS WILL NOT
FAIL TO OPERATE



SHELVES WILL NOT
BEND UNDER MAX.
LOAD OF 250 LBS.

Visit www.knapheide.com/warranty for more information.



The Knapheide Manufacturing Company
1848 Westphalia Strasse | Quincy, IL 62305

217-222-7131
www.knapheide.com

KNAPHEIDE
SINCE 1848