



MAXX Drawers are available in several different sizes and configurations. This document details the assembly and/or installation of the following Maxx Drawer items.

- **Maxx Drawer Vehicle Installation**
- **Multiple Maxx Drawers**
- **Maxx Top Plate**
- **Maxx Top Shelf**
- **Maxx Drawer Accessories (pg. 7)**

Multiple Drawers



Refer to Page 4

Top Shelf



Refer to Page 6

Top Plate



Refer to Page 5



Installation

Refer to Pages 2&3



Installing the MAXX Drawer

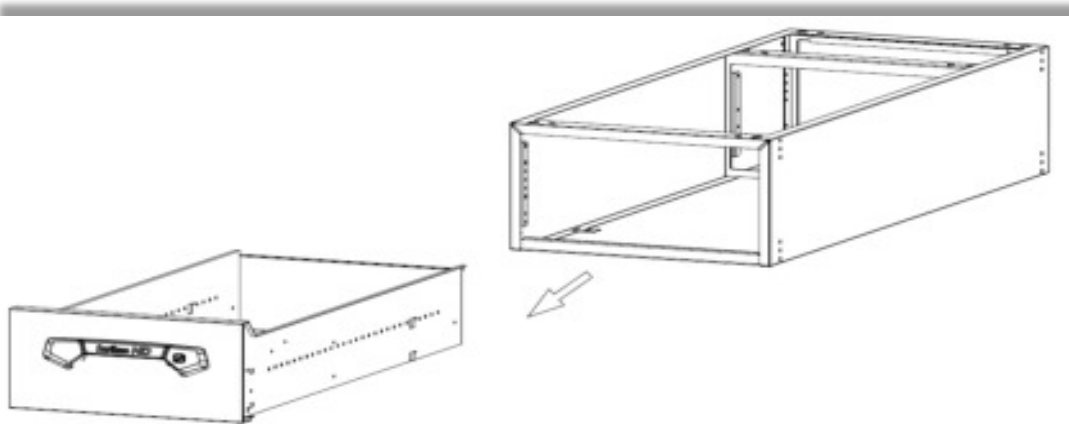
NOTE: It is recommended to install the Maxx Drawer frame prior to mounting Options and/or Accessories.

1. Accessing the Maxx Drawer mounting Points

In order to access the MAXX Drawer mounting locations, the drawer must be removed from the box frame. To remove the drawer you must first fully extend it from the frame.

Next, depress the lever on both left and right telescopic slides and pull the drawer away from the slides.

NOTE: Half of the telescopic slide will remain connected to the drawer body, the other half remains connected to the drawer itself.



Installing the MAXX Drawer Cont.

2. Mounting the MAXX Drawer body to the vehicle body.

All Maxx Drawer kits include a drawer liner and vehicle mounting hardware.

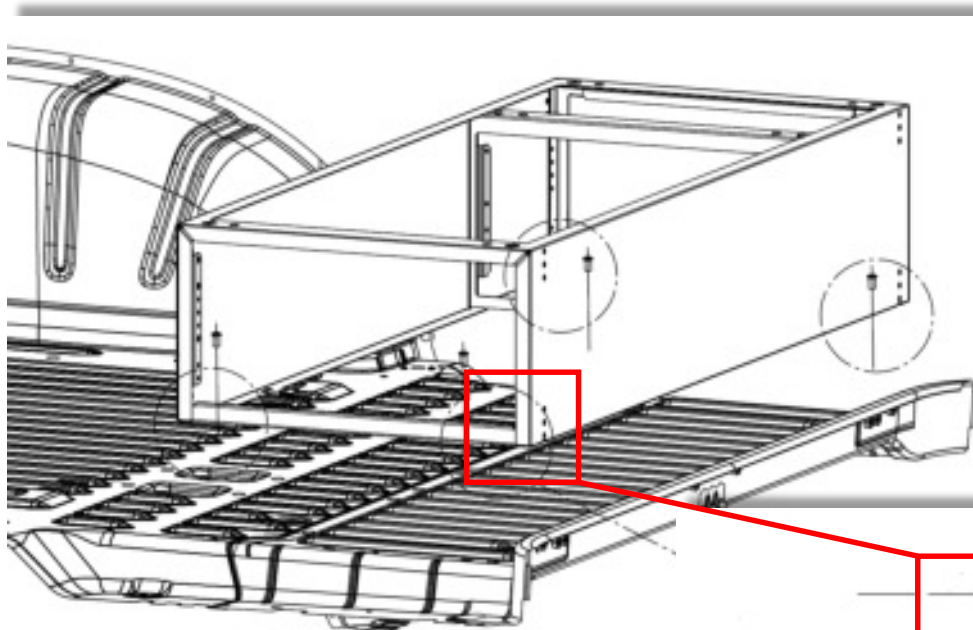
Position the Maxx Drawer in the desired location and mark all 4 mounting points on the vehicle floor.

Move the drawer frame away and, using an 11mm drill bit, drill out all 4 mounting points. Then insert and crush the M8x29 Riv nut (71003987) using manual or pneumatic tools.

Reposition the drawer frame and secure with the M8x20 (71003988) ratchet screws.

NOTE: If the mounting point falls between the vehicle floor ribbing, the plastic spacer (71009864) must be inserted in order to bridge the gap.

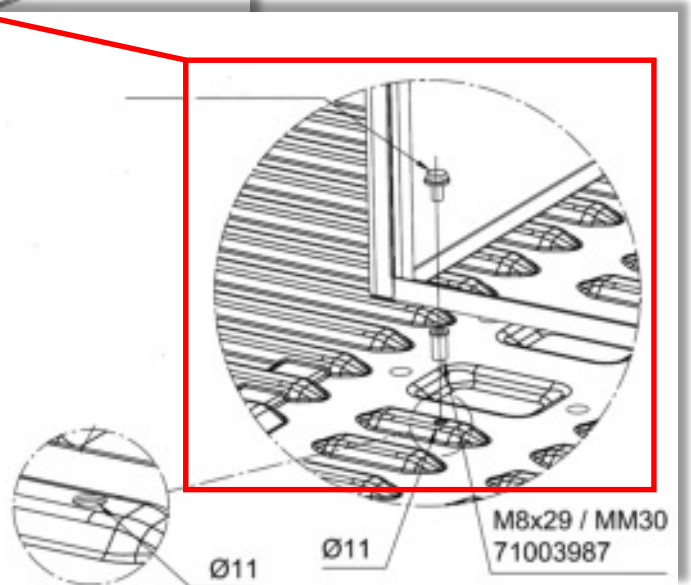
| Maxx Drawer Hardware | | |
|----------------------|----------|-------------------------|
| 4 | 71003988 | RATCHET SCREW (M8 X 20) |
| 4 | 71003987 | RIV NUT (M8 X 29) |
| 4 | 71009864 | SPACER |



Once the drawer frame is fully secured you may re-install the drawer(s). Be sure to align the telescopic slides when re-installing the drawer so as to prevent binding.



Ø11



Ø11

Ø11

M8x29 / MM30
71003987



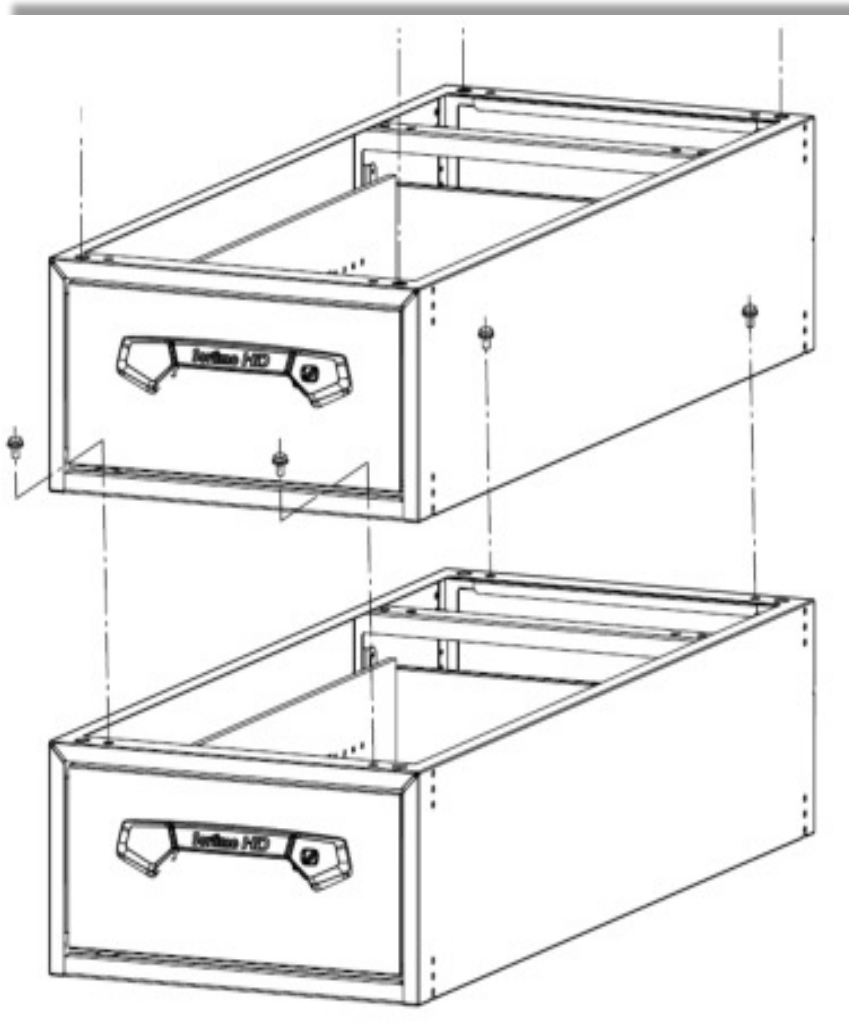
Connecting Multiple Maxx Drawers

Includes Maxx Drawer kits **JD1.5-7-12-1, JD1.5-10-12-1, JD1.5-12-12-1, JD2-7-12-1, JD2-10-12-1 & JD2-12-12-1.**

All Maxx Drawer kits include a drawer liner and vehicle mounting hardware.

NOTE: Only the M8x20mm ratchet screws (71003988 x 4) are needed to connect the Maxx Drawer bodies together.

| Maxx Drawer Hardware | | |
|----------------------|----------|-------------------------|
| 4 | 71003988 | RATCHET SCREW (M8 X 20) |
| 4 | 71003987 | RIV NUT (M8 X 29) |
| 4 | 71009864 | SPACER |



NOTE: Only Maxx Drawers of the same size may be connected together.

Using the M8x20mm ratchet screws, attach the top Maxx Drawer body to the lower body at the threaded positions in all 4 corners.

NOTE: It may be necessary to remove the top drawer from the body in order to access the mounting points.

Refer to page 2 for drawer removal.



Connecting the Maxx Top Plate

Includes Maxx Top Plate kits **JDP1.5-7**, **JDP1.5-10**, **JDP1.5-12**, **JDP2-7**, **JDP2-10** and **JDP2-12**.

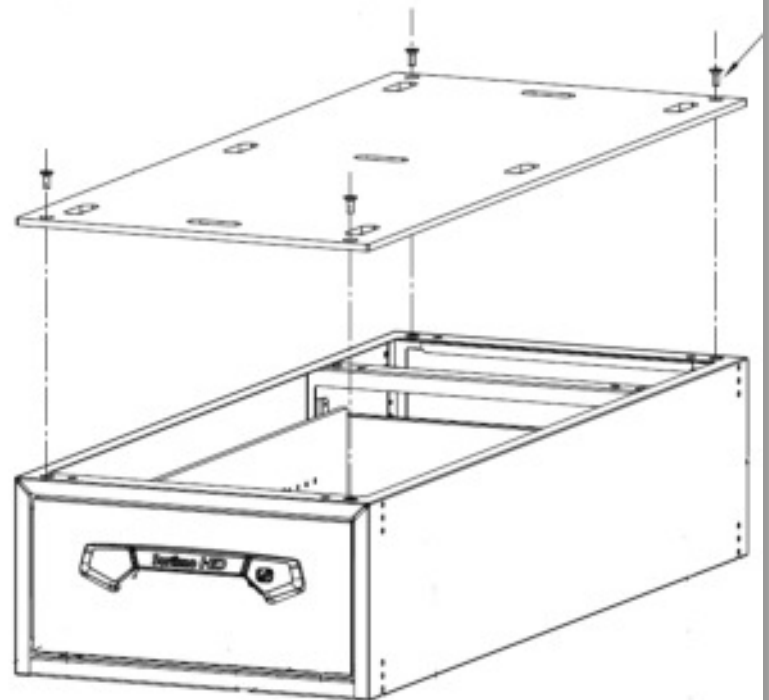
Maxx Top Plate kits include a 3/8" Sobogrip wood panel with integrated ProSafe tie downs, as well as, mounting hardware.

| Maxx Drawer Top Plate Hardware | | |
|--------------------------------|------------|-----------------------------|
| 4 | 1000004872 | COUNTERSUNK SCREW (M8 X 22) |



Using the M8x22mm countersunk screws (1000004872), attach the Top Plate to the Maxx Drawer body at the threaded positions in all 4 corners.

NOTE: Only Top Plates and Maxx Drawers of the same dimension may be connected together.





Connecting the Maxx Top Shelf

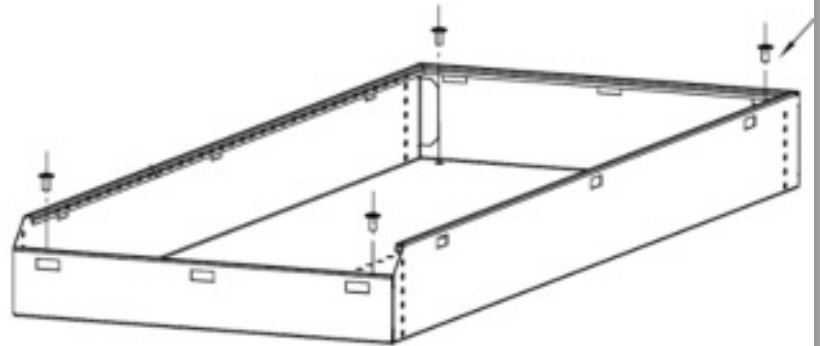
Includes Maxx Top Shelf kits **JDS1.5-7**, **JDS1.5-10**, **JDS1.5-12**, **JDS2-7**, **JDS2-10** and **JDS2-12**.

Maxx Top Shelf kits include a steel shelf and mounting hardware.

| Maxx Drawer Shelf Tray Hardware | | |
|---------------------------------|----------|-----------------|
| 4 | 71008313 | SCREW (M8 X 12) |

Using the M8x12mm screws (71008313), attach the Top Shelf to the Maxx Drawer body at the threaded positions in all 4 corners.

NOTE: Only Top Shelves and Maxx Drawers of the same dimension may be connected together.



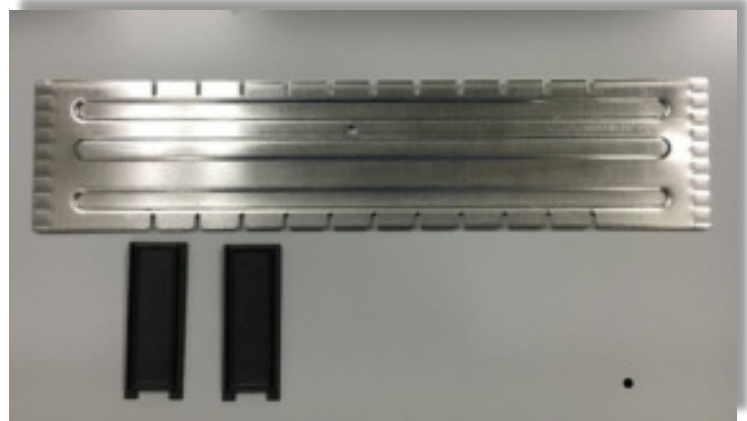
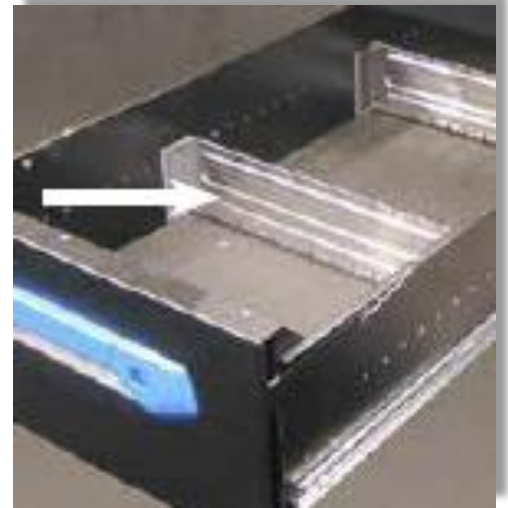
Maxx Drawer Accessories

Includes:

- Maxx Drawer Divider kits 411011700-KIT & 411003696-KIT
- Maxx Top Shelf Divider kits 1000004844-KIT & 1000004845-KIT
- Maxx Top Plate ProSafe Straps 1000000222 & 1000000224.

Maxx Drawer Divider Kits (14.6" and 19.3")

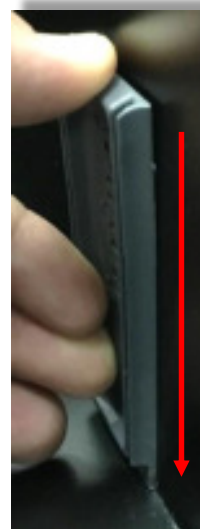
Drawer divider kits 411011700-KIT and 411003696-KIT include one aluminum divider and two divider clips.



Identify divider position and insert the two divider clips on the left and right of the drawer.

Insert divider clips so that the tabs fit into the punched holes both at the bottom edge of the drawer and along the side of the drawer body. Be sure that divider clips are inserted directly across from each other (parallel).

Align divider with the slot in the divider clip and push down to fully seat the divider.



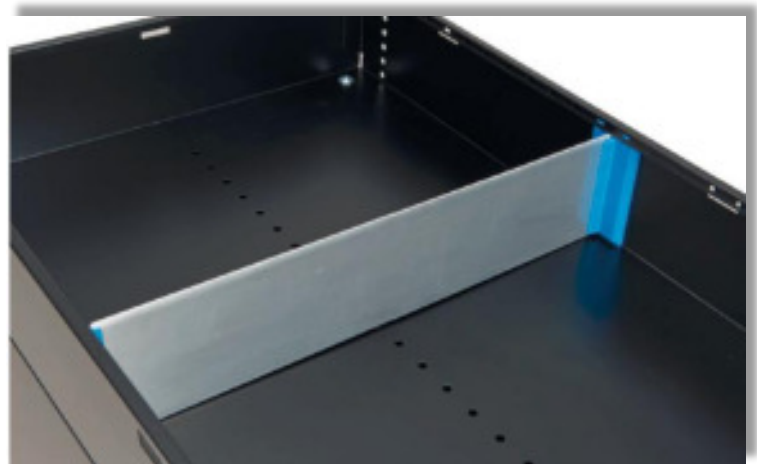
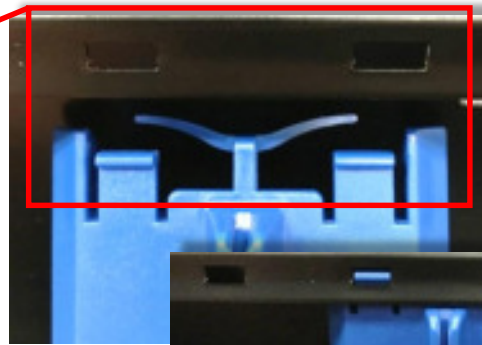
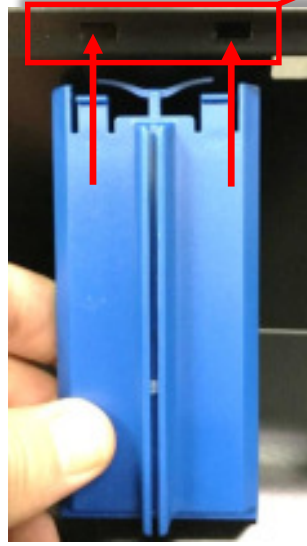
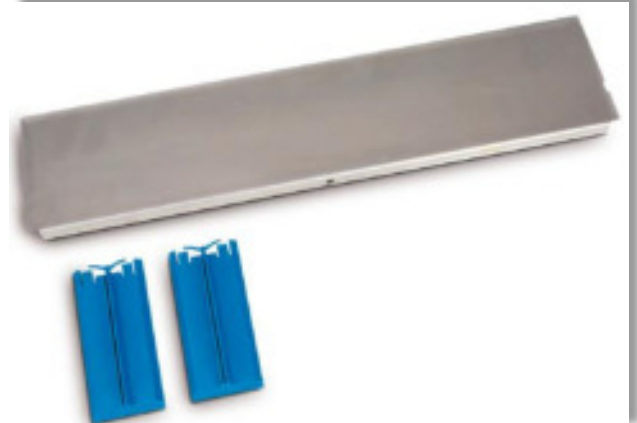
Maxx Top Shelf Divider Kits (14.6" and 19.3")

Top Shelf divider kits 1000004844-KIT and 1000004845-KIT include one aluminum divider and two divider clips.

Identify the location for the divider.

Insert divider clips so that the tabs fit into the punched holes along the top edge of the shelf. Be sure that divider clips are inserted directly across from each other (parallel).

Align divider with the slot in the divider clip and push down to fully seat the divider.



Maxx Top Plate ProSafe Straps (55" and 117")

ProSafe Straps 1000000224 and 1000000222 are meant for use with the ProSafe lashing points integrated into the Top Plate.



» PROSAFE LASHING STRAP 55"

Part #: 1000000224

Weight: 0.5 lbs.

Use a ProSafe Lashing Strap to secure cargo using the integrated Lashing Strap tie downs on the MAXX Top Plate loading floor. Lashing straps are made out of 1" wide 100% polyester and have a strain rating of 150 DaN. Strap length is 55" and includes a clamp buckle. Fits 14.6" wide drawers.



» PROSAFE LASHING STRAP 117"

Part #: 1000000222

Weight: 0.8 lbs.

Use a ProSafe Lashing Strap to secure cargo using the integrated Lashing Strap tie downs on the MAXX Top Plate loading floor. Lashing straps are made out of 1" wide 100% polyester and have a strain rating of 150 DaN. Strap length is 117" and includes a clamp buckle.

