



The Wide-4 and Wide-6 Removable lips are compatible with all Wide-4 and Wide-6 upgradeable shelves. The lips are designed to aid in retaining items on the shelf. The kit includes the removable lip and mounting screws and nuts.

NOTE: The Removable lips are compatible with Upgradeable Shelf Dividers.

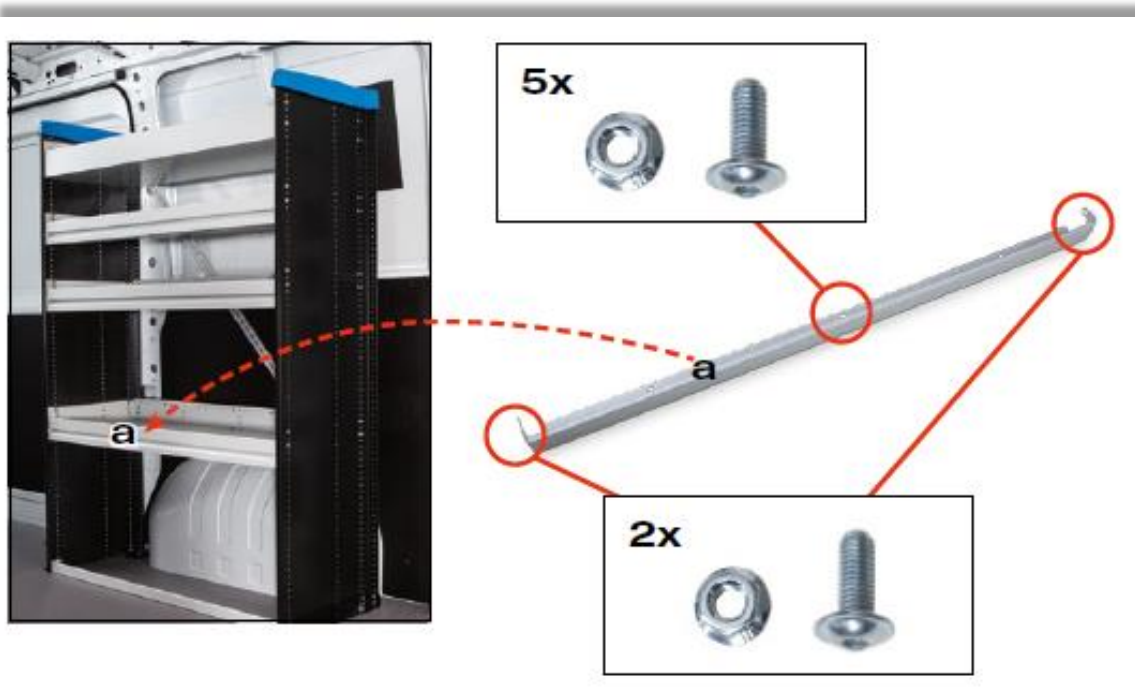
1000002550 HARDWARE KIT		
QTY	PART #	DESCRIPTION
2	6000002069	SCREW (M6 X 14)
5	71003916	SCREW (M6 X 12)
7	71003884	PAWL NUT (M6)

1. Align the shelf lip with the mounting holes on the front edge of the upgradeable shelf. Using the M6x12 screws, attach the lip to the shelf, filling as many holes as possible.

NOTE: The Wide-6 shelf lip has more available holes than hardware. Fill as many holes along the front edge of the lip before filling the corners. In this situation it is acceptable to use both M6x12 and M6x14 screws.

2. Using the M6x14 screws, fasten the corners of the lip.

NOTE: The M6x14 corner screws are long enough to pass through the shelf lip, upgradeable shelf and end panel. The M6x14 screw **is not** long enough to pass through a second shelf and shelf lip. In this situation it is acceptable to leave out one of the corner screws.



Mounting Tips:

- Looking from above, align mounting holes of the removable lip with the mounting holes along the front edge of the shelf.
- From the underside of the shelf, use a 10mm deep well socket to align the M6 locking nut with the M6x12 screw. Leave screws hand-tight until all holes are filled, then tighten.

