



NOTE: Instructions are intended for the Workbench Top kits but also apply to Workbench Shelf Staxx kits. For full Shelf Staxx assembly instructions please refer to the Sortimo Exxpand Staxx Installation Instructions.

Workbench Top kits WB2 (18.125"), WB4 (37.19") & WB6 (56.25") are compatible with Wide-2, Wide-4 and Wide-6 Shelf Staxx, respectively.

Top kits include a 1/2" beech worktop, frame supports and mounting hardware.

NOTE: Hardware kit 1000004726 is used to connect the frame supports to the Staxx end panels. The miscellaneous hardware is used to connect the workbench top to the frame supports.

Mounting the Workbench Top Kit

1. Identify the location for the Workbench Top. It is recommended to mount the Workbench top directly below the blue top grip.

2. Remove blue top grip handles.

3. Using the hardware kit 1000004726, attach the frame supports at the front and rear of the end panels. Connect the frame supports at the 4th and 6th holes down from the top of the end panel. You may fully tighten the frame supports at this time.

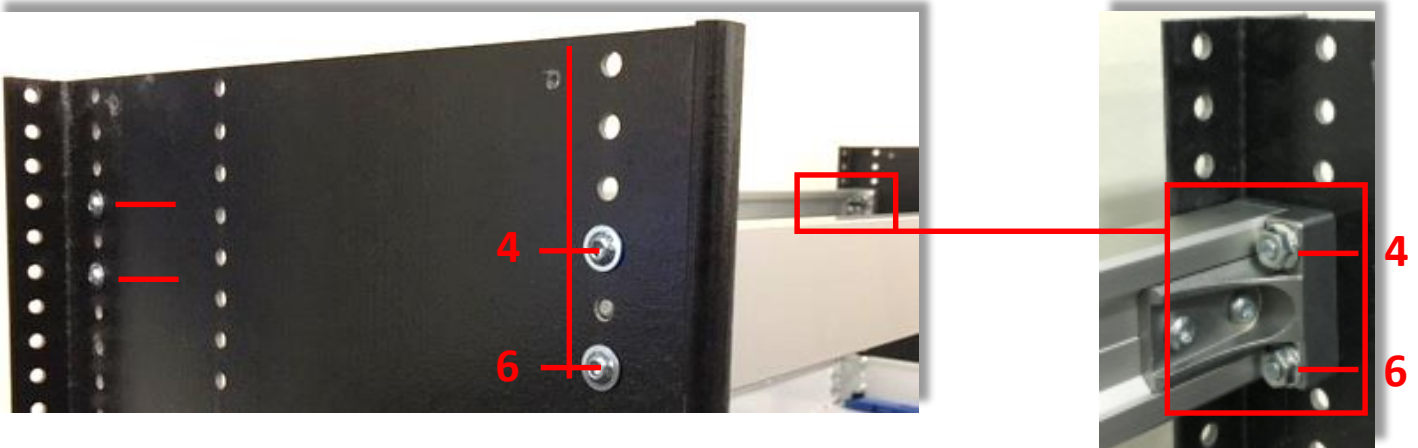
NOTE: The flat side of the frame supports should face outward (front and rear).

1000004726 HARDWARE KIT		
QTY	PART #	DESCRIPTION
4	NOT AVAILABLE SEPERATELY	SCREW (M6 X 25)
4	71003884	PAWL NUT (M6)

WORKBENCH TOP KIT - MISC. HARDWARE				
QTY			PART #	DESCRIPTION
WB2	WB4	WB6		
4	6	6	71003047	BRACKET
4	6	6	71003828	CHIPBOARD SCREW (M5 X 20)
4	6	6	1000001240	PANHEAD SCREW (M4.8X13)

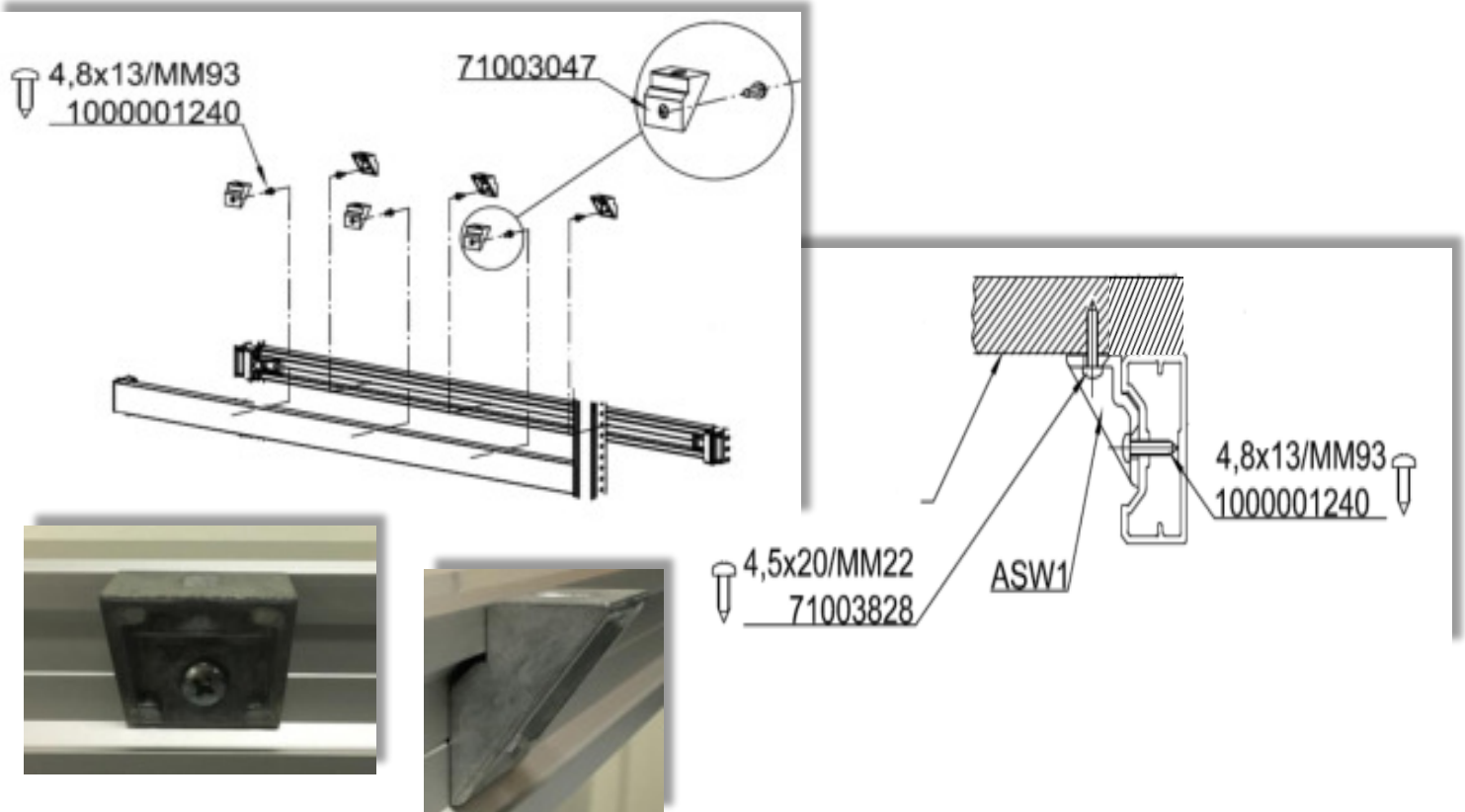


NOTE: It is not possible to mount Workbench Tops side by side with the provided hardware. If desired you may offset side by side workbench tops.



4. Once the frame supports are secure you may attach brackets 71003047 to the front and rear supports using the 4.8x13 screws.

NOTE: Frame supports are pre-drilled for mounting the brackets with the 4.8x13 screw. **Do not** overtighten.

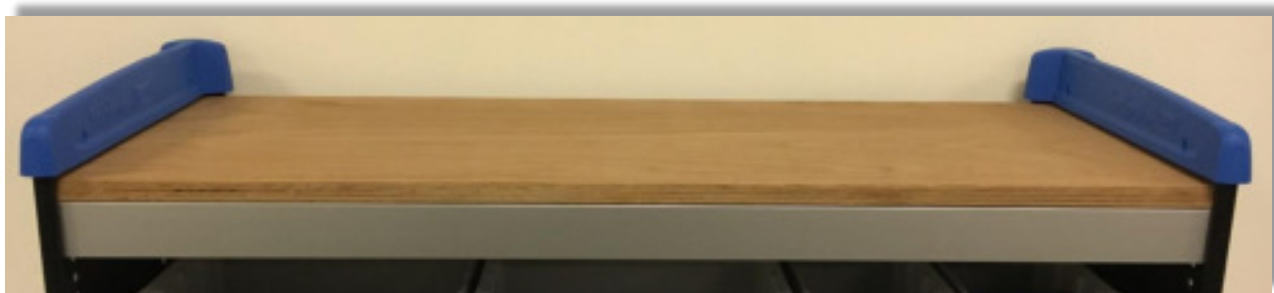
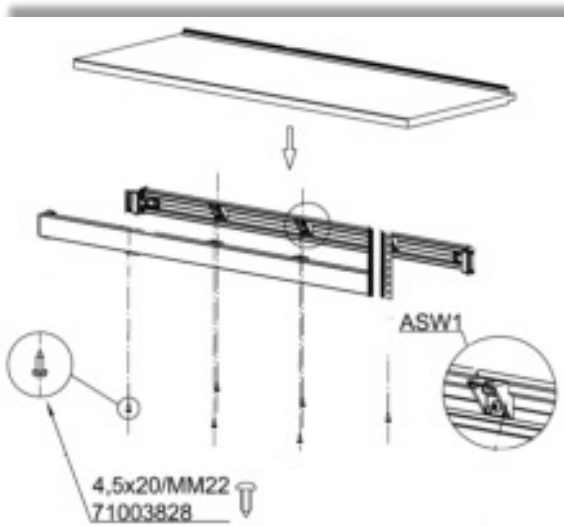


5. Set the worktop onto the frame supports and align it so that the worktop is flush with the front frame support. Attach the work top to the brackets using the 4.5x20 wood screws.

NOTE: The worktop has a milled edge that should be mounted towards the rear and facing down.

6. Reattach blue top grip handles.

Check to make sure all fastening points are secure.



Workbench Staxx: Use of the Angled Stability Bracket

The Angled Stability Bracket (1000003884) is provided with Workbench Staxx kits. It is used in place of the Flat Stability Bracket (1000003883).

The Angled Stability Bracket is used because it is not possible to mount to the rear of the Frame Supports (no existing holes).

NOTE: The Angled Stability Bracket must be attached at 2 points: The Frame Support serves as one point; a lower shelf serves as the second point of contact. EcoFix brackets may then be attached to the Angled Stability Bracket.

